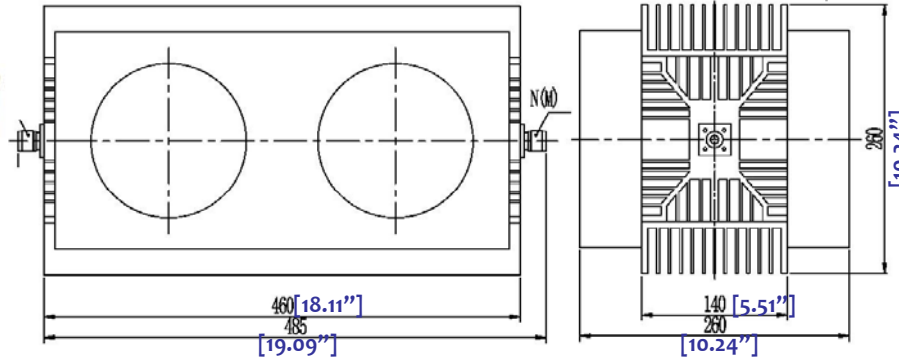
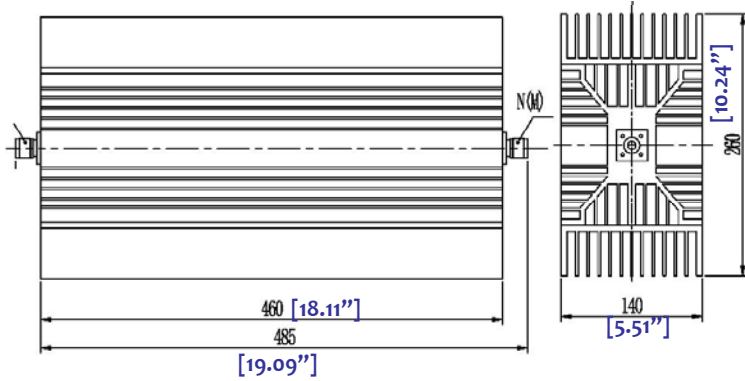


# 800W HIGH POWER FIXED ATTENUATOR


## --- RFS800GXX



1.0 Mechanical Specifications		
1.1	Coaxial Connector	N or 7/16 (Male or Female)
1.2	Size	506 × 260 × 141mm (20" x 10.2" x 5.55") (no Fan) 506 × 260 × 260mm (20" x 10.2" x 10.23") (with Fan)
1.3	Weight	17.5KG (No Fan) 23G (With Fan)
1.4	External Body Finish	Body painted with gray/black epoxy enamel

2.0 Environment specifications		
2.1	Operation Temp.	-40°C~+85°C
2.2	Storage Temp.	-55°C~+125°C
2.3	Altitude	45000 ft
2.4	Vibration	10g rms (15 degree 2KHz)
2.5	Humidity	100% RH at 35c, 95%RH at 40 deg c
2.6	Shock	20G for 11msc
2.7	Cooling	FAN required for long time operation

3.0 Electrical Specifications								
PN	Frequency (GHz)	VSWR (max.)	Attenuation Accuracy (dB)				Power (CW)	Peak Power (KW)
			30	40	50	60		
RFS800G01	DC-1GHz	1.20	/	±1.0	±1.0	±1.5	800	10KW
RFS800G02	DC-2GHz	1.35	/	±1.25	±1.5	±2.0	800	10KW
RFS800G03	DC-3GHz	1.40	/	±1.5	±2.0	±2.5	800	10KW
RFS500G04	DC-4GHz	1.50	/	±2.0	±2.5	±3.0	800	10KW

PAGE 1 OF 1		DATE	Sep 2 <sup>nd</sup> 2006
<small>PROPRIETARY INFORMATION THE INFORMATION CONTAINED IN THIS DOCUMENT IS THE PROPERTY OF RF-LAMBDA EXCEPT AS SPECIFICALLY AUTHORIZED IN WRITINGS BY RF-LAMBDA. THE HOLDER OF THIS DOCUMENT SHALL KEEP ALL INFORMATION CONTAINED HEREIN CONFIDENTIAL AND SHALL PROTECT SAME IN THE WHOLE OR IN PART FROM DISCLOSURE AND DISSEMINATION OF ALL THIRD PARTIES AND SHALL USE SAME FOR OPERATING AND MAINTENANCE PURPOSES ONLY</small>		DESIGN	RFPIC
		RF-LAMBDA	RFPIC
		CAD MODEL REVISION	10
		ASSEMBLY REVISION	V552
 <b>RFS800GXX HIGH POWER ATTENUATOR</b>		ASSEMBLY NAME	RFLVR07
www.rflambda.com		DRAWING NUMBER	D05-A
RF-LAMBDA	SIZE LT	SHEETS 1 OF 1	