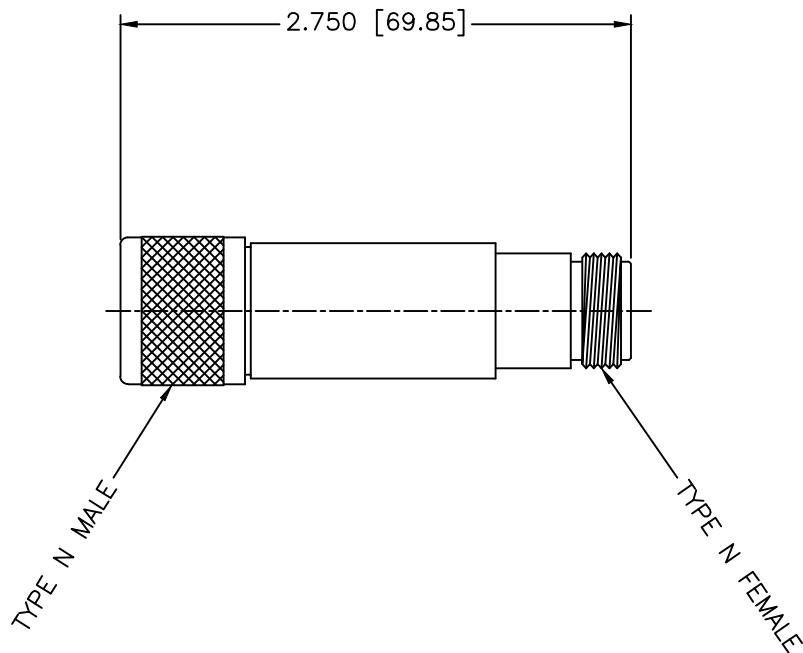


REVISIONS				
ZONE	REV	DESCRIPTION	DATE	APPROVED



**SPECIFICATIONS**

Frequency Range: DC–2 GHz  
 VSWR: 1.15:1 Max.  
 Power: 10 Watts  
 Attenuation Value: 3dB to 20dB  
 Operating Temperature: –65°C to +125°C  
 Impedance: 50 ohms  
 Mechanical  
 N Connectors: Passivated Stainless Steel  
 Conductors: Gold Plated Beryllium Copper  
 Housing: Aluminum

MATERIAL:		MICROWAVE COMMUNICATIONS LABORATORIES INC. 7255 30TH AVE. N. SAINT PETERSBURG, FL 33710 TEL: (727) 344-6254 FAX: (727) 381-6116 http://WWW.MCLI.COM	SCALE:	N/A
			SHEET:	N/A
		UNLESS OTHERWISE SPECIFIED: TOLERANCES IN (INCHES) OR [mm] (MILLIMETERS) FRACTIONS: ± 1/64 DECIMALS: ±.01 ±.005 ANGLE: ±1/2°	DRAWING TITLE: <b>10 WATTS ATTENUATOR</b>	
DRAWN: Paiboon Luekhamhan		DATE: 12-07-1997	PART NO. <b>FAN-1</b>	
APPROVED: T. Nguyen		DATE: 12-07-1997	CAGE CODE: OD2L5	SIZE: A REV: N/A DWG NO.: 80790
		PROPRIETARY NOTICE: THE INFORMATION IN THIS DRAWING IS PROPRIETARY AND SHALL NOT BE USED OR DISCLOSED WITHOUT WRITTEN PERMISSION FROM MICROWAVE COMMUNICATIONS LABORATORIES INC. (MCLI)	DO NOT SCALE THE DRAWING	

