

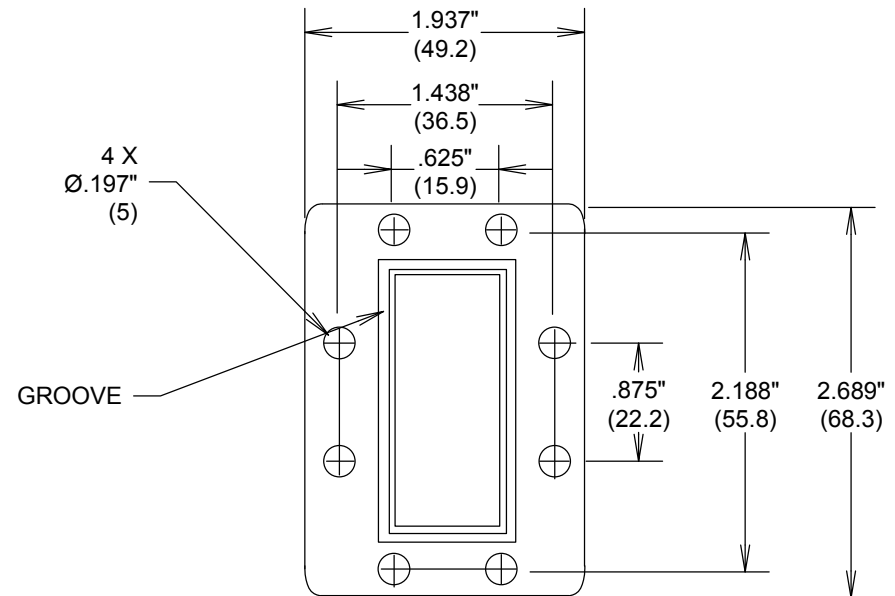
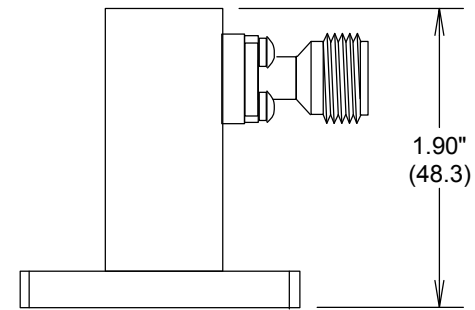
WR137 to N-F WAVEGUIDE TO COAXIAL ADAPTER

SMW137ACNG

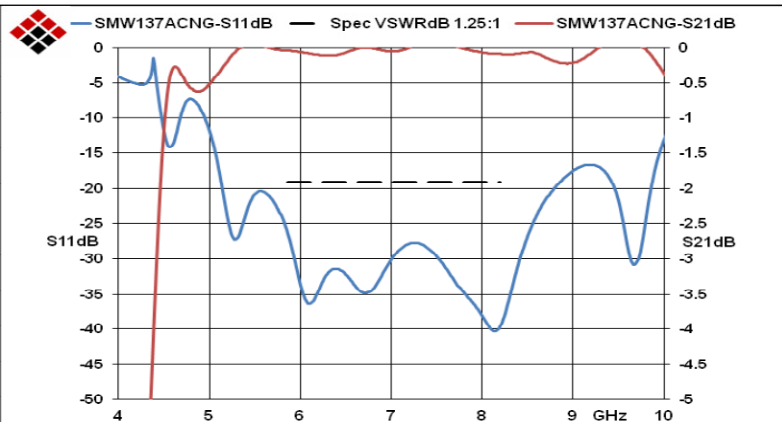
SPECIFICATIONS

FREQUENCY: 5.85-8.2 GHZ
 VSWR: 1.25:1 MAX
 MATERIAL BODY: Al
 MATERIAL CONNECTORS:
 BODY: NICKLE PLATED BRASS
 CONTACTS: BeCu Au PLATED 30μ-in
 CONN INTERFACE: MIL-STD-883
 TEMPERATURE RANGE: -55°C to 120°C

ROHS COMPLIANT



MEASUREMENTS BELOW ARE TYPICAL



ALL DIMENSIONS IN inches(MM) Typical

FAIRVIEW MICROWAVE INC.

ALLEN, TX 75013 WWW.FAIRVIEWMICROWAVE.COM

TITLE

WR137 to N-F WAVEGUIDE TO COAXIAL ADAPTER

SIZE

A

CAGE CODE

3FKR5

DWG NO

SMW137ACNG

REV

--

SCALE

SHEET