

LPA7-1.6L-GPS/1459

COBHAM

Directional Satellite Antenna

The most important thing we build is trust

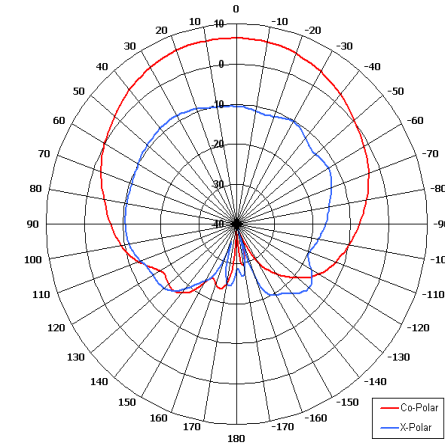
Designed for Thuraya Satellite Network

Integrated Active GPS Antenna

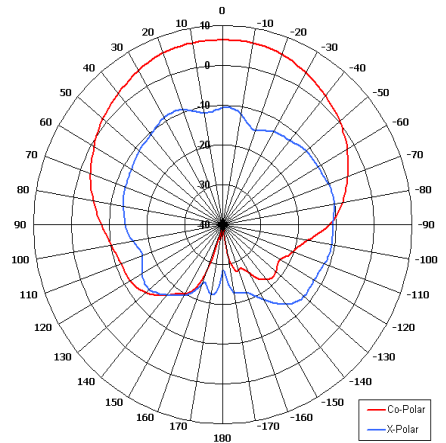
Dual Circular Polarisation

Lightweight

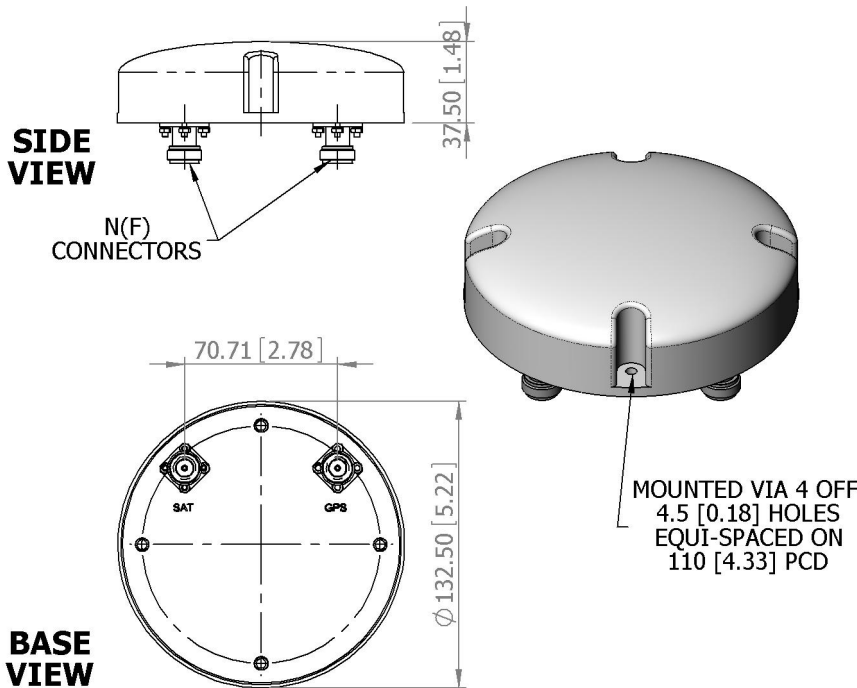
Mounting Options



Azimuth Pattern



Elevation Pattern



GA: 1459

ELECTRICAL

Frequency	1.52-1.56 & 1.62-1.66 GHz (Sat) 1.56-1.59 (GPS)
Gain	7.0 dBiC Nom (Sat) 32 dBiC Nom (GPS)
Polarisation	Left Hand Circular (Sat) Right Hand Circular (GPS)
Beamwidth	70° (Az) x 70° (El) Approx (Sat) 77° (Az) x 74° (El) Approx (GPS)
Axial Ratio	<2.0 dB Typical Boresight <4.0 dB across HPBW
VSWR	1.5:1 (Sat)
Power Rating	20W (Sat)
Front to Back	25 dB Typical (Sat)

MECHANICAL

Standard Finish	White
Mass	263g (9.3 oz)
Temperature	-40° to +70°C
Wind Loading	0.75 Kg(1.65lbs) @ 100mph

MOUNTING OPTIONS

Kits Available	159A
See separate data sheets	

ADDITIONAL NOTES

Issued 060510

European Antennas Limited trading as Cobham Antenna Systems, Microwave Antennas

European Antennas Limited has a policy of continuous development and stress that the information provided is a guide only and does not constitute an offer or contract or part thereof. Whilst every effort is made to ensure the accuracy of the information contained in this brochure, no responsibility can be accepted for any errors or omissions.

The copyright of antenna designs and images is copyright protected and owned by European Antennas Limited.
©European Antennas Limited

For further information please contact:

Cobham Antenna Systems, Microwave Antennas
Lambda House, Cheveley,
Newmarket, Suffolk CB8 9RG, UK.
Tel +44 (0)1638 732 177
Fax +44 (0) 1638 731999
Email newmarket.sales@cobham.com