

KR Electronics

General Description

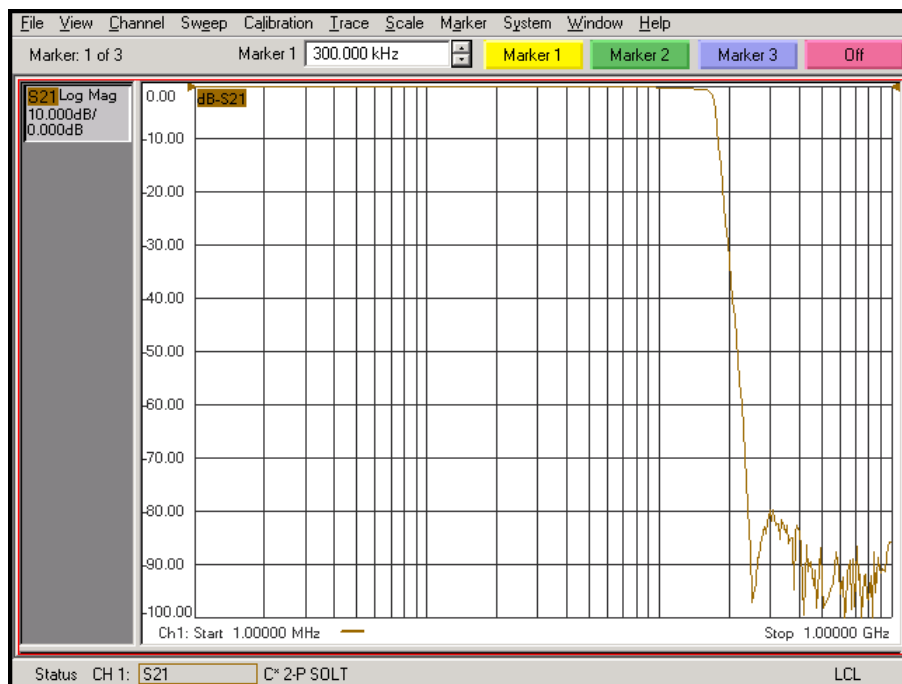
KR Electronics part number 2978 is a 150 MHz elliptic type lowpass filter. The filter has over 70 dB rejection by 250 MHz. Other bandwidths are available. Please consult the factory.

Features

- 150 MHz Lowpass Filter
- Elliptic Type
- Sharp Transition to Stopband
- High Stopband Attenuation
- 50 Ω Source and Load
- Surface Mount
- Also available with SMA connectors

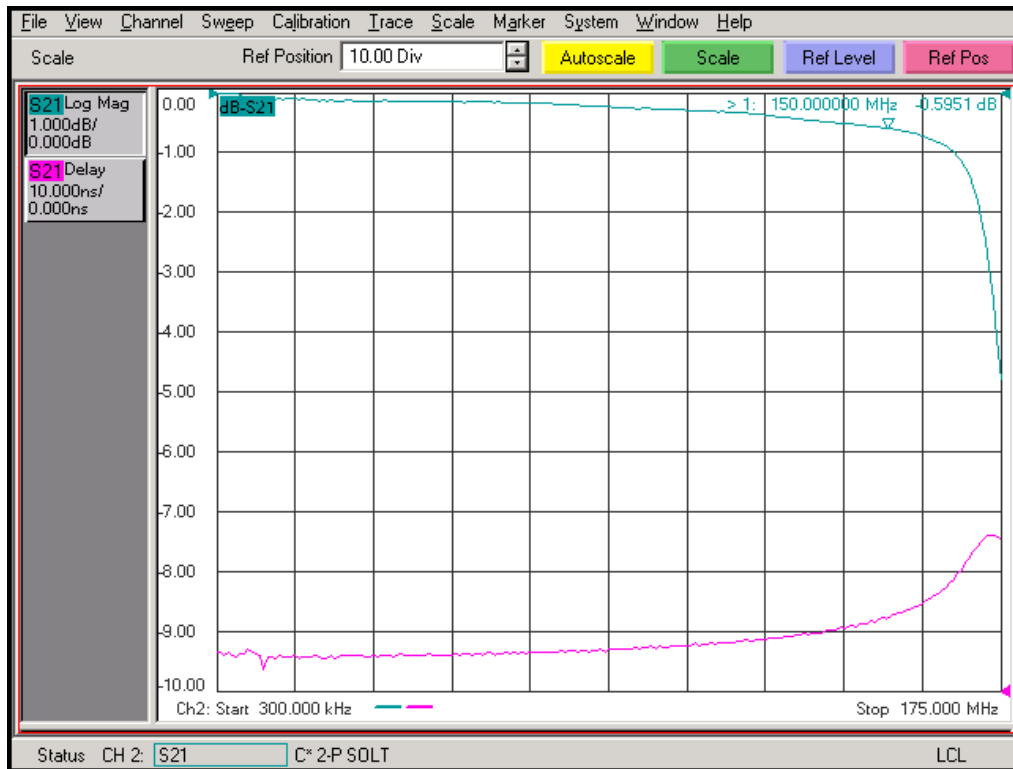
Typical Performance

Overall Response (10 dB/div)



Typical Performance

Passband Amplitude & Group Delay (1 dB/div & 10 nsec/div)

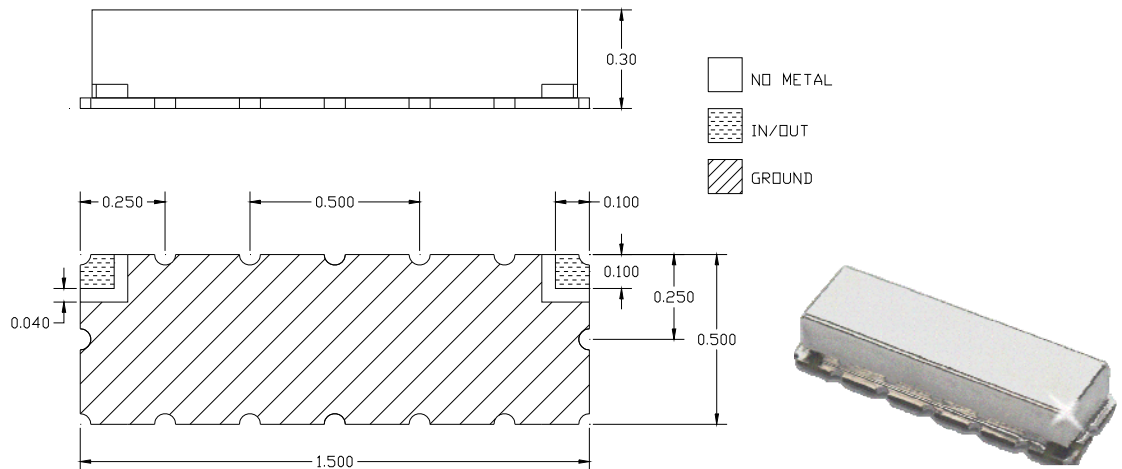


KR Electronics 2978

Specifications

Parameter	Specification	Notes
Filter type	Lowpass	
End of Passband (< 1 dB)	150 MHz	0.6 dB typical
Rejection 250 MHz to 1 GHz	70 dB min	
Source and Load	50 Ω	

Physical Dimensions



Notes:

1. Surface mount package, metal cover
2. Dimensions in inches
3. Max reflow temperature 209° C for 10 sec
4. If boards are cleaned after installation units must be completely dried
5. Also available in metal case with SMA connectors

KR Electronics, Inc.
91 Avenel Street
Avenel, NJ 07001

Web www.krfilters.com
 Email sales@krfilters.com
 Phone (732) 636-1900
 Fax (732) 636-1982