

- PERFORMANCE: (sea level)
- FREQUENCY RANGE: DC-4 GHz
- VOLTAGE RATING: 500 Vrms
- NOMINAL IMPEDANCE: 50 OHMS
- DWV: 1,500 Vrms @ 60 Hz
- TEMPERATURE RANGE: -65 TO +165°C

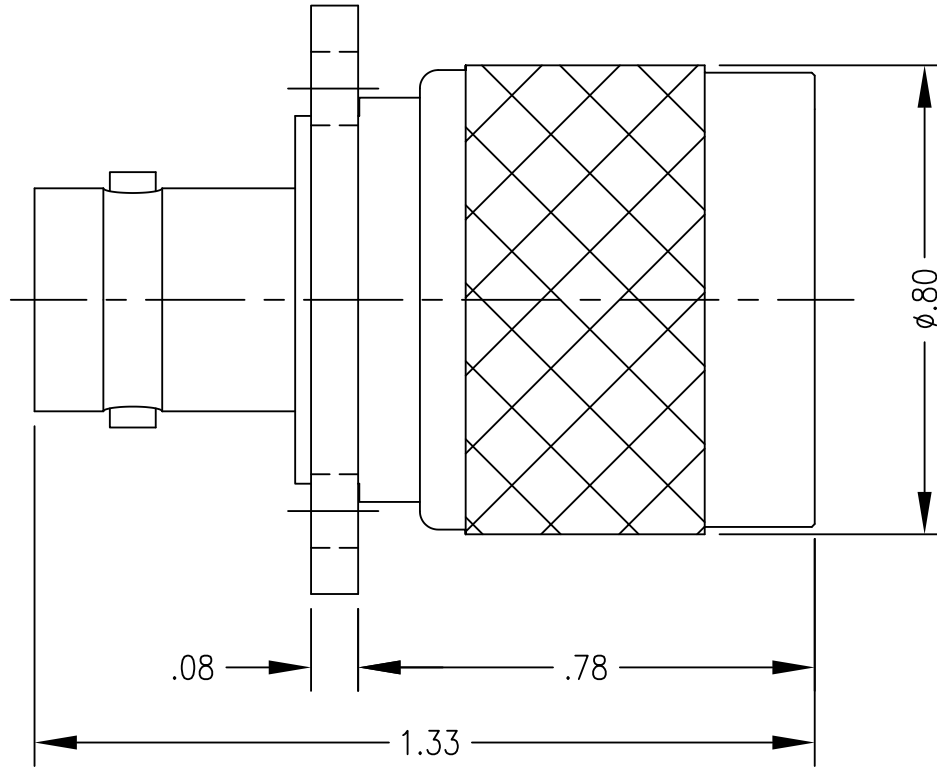
- MATERIALS:
- DIELECTRIC: PTFE
- LOCKING RING: BRONZE
- ALL OTHER METALS: BRASS
- GASKET: Si RUBBER
- FINISHES: (see table)

- MECHANICAL
- INTERFACE PER MIL-STD-348

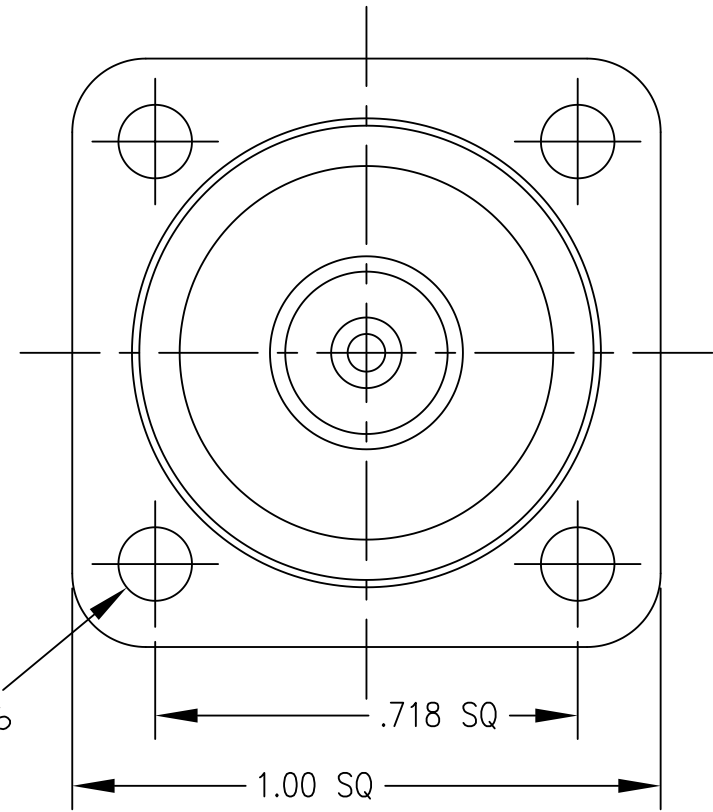
DWG NO. OL-0910-30-1		REV. A
PART NUMBER	BODY	CONTACT
0910-30	NICKEL	SILVER
0910-30-NG	NICKEL	GOLD

PLATING PER SAN-TRON SPEC. 7.3.1-8

DO NOT SCALE DRAWING



$\phi .125$
4-PLACES



Rev.	Revisions	Disp.	Date	Dwn.	Appd.
A	REDRAWN ON CAD		NEW 11/3/10		


THIS DRAWING CONTAINS CONFIDENTIAL INFORMATION PROPRIETARY TO SAN-TRON, INC. IT MUST NOT BE REPRODUCED OR DISCLOSED TO OTHERS OR USED IN ANY OTHER WAY, IN WHOLE OR PART EXCEPT AS AUTHORIZED IN WRITING BY SAN-TRON, INC.

UNLESS OTHERWISE SPECIFIED:
ALL DIMENSIONS ARE IN INCHES.
ALL DIMENSIONS ARE AFTER PLATING.
.XXX = $\pm .005$ ALL MACHINED SURFACES $63 \sqrt{\text{MAX.}}$
.XX = $\pm .01$ ANG. $\pm 1/2^\circ$ FRACTIONAL = $\pm 1/64$

$\text{◎} .004 \text{ MAX. TIR}$ \perp AXIS $.001$

THIRD ANGLE PROJECTION

DWN	SJS	2/17/92
CHKD	SJS	2/17/92
APPR	JCS	2/20/92



SAN-TRON, INC.
 4 NEWBURYPORT TPK. IPSWICH MA USA 01938
 TEL: 978 - 356 -1585 FAX: 978 - 356 -1573
 WWW. santron.com E MAIL: santron@santron.com

TITLE: ADAPTER BNC (F) - N (M)

MATERIAL: SEE NOTES FINISH: SEE TABLE

CAGE CODE: 50896 DWG NO. OL-0910-30-1 REV. A

SCALE: X:X