

KR Electronics

General Description

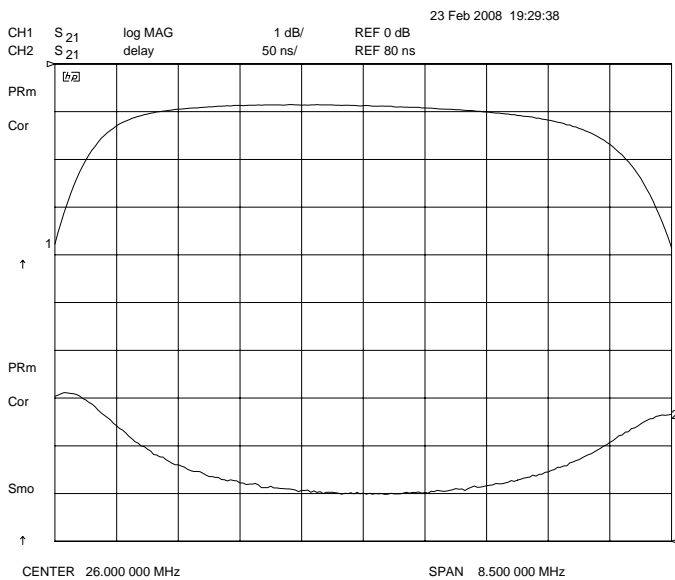
KR 2820-26 is a 26 MHz surface mount bandpass filter. The filter has a 3 dB bandwidth of 8.5 MHz. Other passband frequencies are available. Please consult the factory.

Features

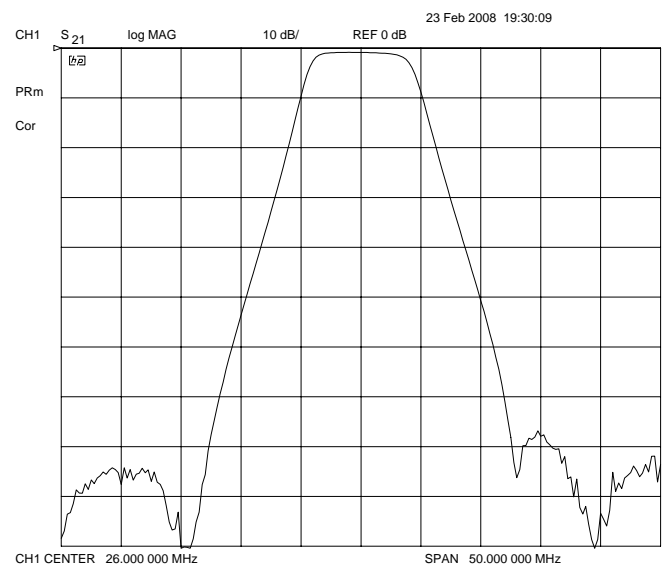
- 26 MHz Center Frequency
- 8.5 MHz Bandwidth
- 60 dB Stopband Attenuation
- Surface Mount Package
- 50 Ω Source and Load

Typical Performance

Passband Amplitude & Group Delay (1 dB/div and 50 nsec/div)



Overall Response (10 dB/div)



KR Electronics, Inc.
91 Avenel Street
Avenel, NJ 07001

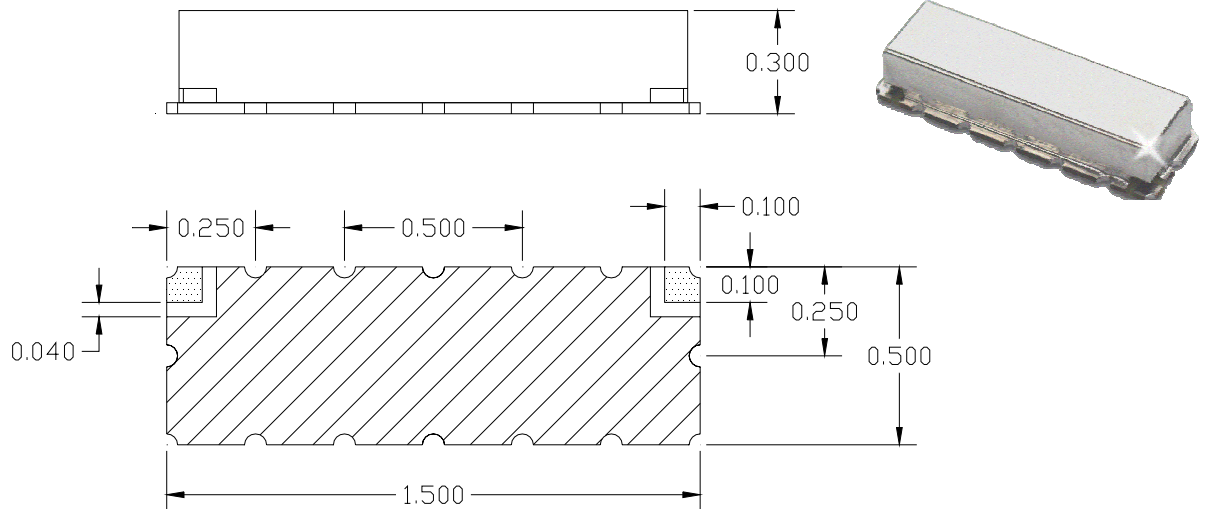
Web www.krfilters.com
Email sales@krfilters.com
Phone (732) 636-1900
Fax (732) 636-1982

KR Electronics 2820-26

Specifications

Parameter	Specification
Filter type	Bandpass
Center Frequency	26 MHz
Insertion Loss	< 2.5 dB (1 dB typical)
Attenuation at 21.75 MHz	3 dB \pm 1 dB
Attenuation at 30.25 MHz	3 dB \pm 1 dB
Attenuation at 13.25 MHz	> 60 dB
Attenuation at 38.75 MHz	> 60 dB
Source and Load	50 Ω

Physical Dimensions



Notes:

1. Surface mount package — Metal cover, open frame
2. Dimensions in inches
3. Maximum reflow temperature 209° C for 10 seconds maximum
4. If boards are cleaned after installation, units must be completely dried