

# POWER DIVIDERS, RESISTIVE TNC

UP TO **18 GHz**  
**1 WATT**



MODELS: 6019, 6019-02

## SPECIFICATIONS:

### Electrical:

Frequency Range \_\_\_\_\_ See Below  
 Standard Freq. Values \_\_\_\_\_ 12.4 and 18 GHz  
 Input VSWR \_\_\_\_\_ See Below  
 Impedance \_\_\_\_\_ 50 Ohms  
 Insertion loss \_\_\_\_\_ See Below  
 Phase Tracking \_\_\_\_\_ See Below  
 Amplitude Tracking \_\_\_\_\_ See Below  
 Input Power \_\_\_\_\_ 1 Watt Avg. @ 25°C  
 Power Coefficient \_\_\_\_\_  $<0.005\text{dB/dB/Watt}$   
Derated linearly to 0 Watts @ +125°C  
 Temperature Coefficient \_\_\_\_\_  $<0.0004\text{dB/dB/°C}$   
 Operating Temp. Range \_\_\_\_\_ -55°C to +125°C

### Mechanical:

\*TNC Connectors \_\_\_\_\_ Passivated Stainless Steel  
Mates with MIL-STD-348  
 Housing \_\_\_\_\_ Anodized Aluminum  
 Conductors \_\_\_\_\_ Gold Plated Beryllium Copper

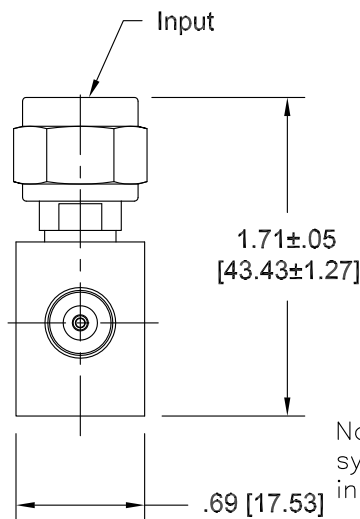
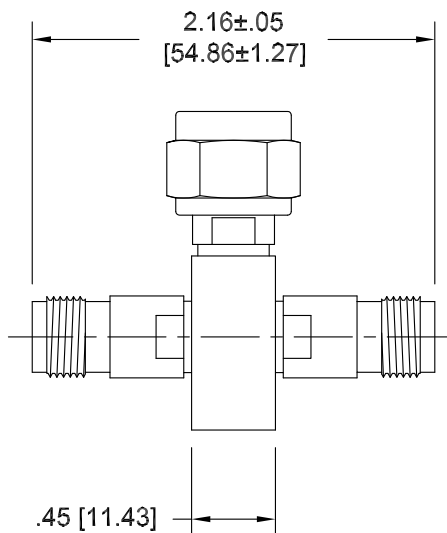
\*18 GHz Mode Free

### Model Number: 6019

Frequency Range \_\_\_\_\_ DC - 18 GHz  
 Input VSWR \_\_\_\_\_ 1.35:1 Max.  
 Insertion Loss \_\_\_\_\_ 7.5dB Nominal  
 Phase Tracking \_\_\_\_\_  $\pm 3^\circ$   
 (between output ports)  
 Amplitude Tracking \_\_\_\_\_ 0.5 dB

### Model Number: 6019-02

Frequency Range \_\_\_\_\_ DC - 12.4 GHz  
 Input VSWR \_\_\_\_\_ 1.25:1 Max.  
 Insertion Loss \_\_\_\_\_ 6dB Nominal  
 Phase Tracking \_\_\_\_\_  $\pm 2^\circ$   
 (between output ports)  
 Amplitude Tracking \_\_\_\_\_ 0.4 dB



Note: Output ports are symmetrical to male input.

Note: Dimensions in Brackets are Expressed in Millimeters and are for Reference Only.  
 Design specifications are subject to change without notice.  
 Contact factory for technical specifications before purchasing or use.