

Model 1443A Subminiature, SMA Connectors

dc to 18.0 GHz
5 Watts

RoHS



Features

- /// **Compact Construction** - Lowest size/power ratio.
- /// **Precision Injection Molded Connector.**
- /// **Low SWR.**

Specifications

NOMINAL IMPEDANCE: 50 Ω

FREQUENCY RANGE: dc to 18.0 GHz

MAXIMUM SWR:	
Frequency (GHz)	SWR
dc - 18	1.15

POWER RATING: 5 watts **average** (mounted horizontally assuming unobstructed air flow and natural convection around unit) to 25°C ambient temperature, derated linearly to 0.5 watts @ 100°C. 500 watts **peak** (5 μsec pulse width; 0.5% duty cycle).

TEMPERATURE RANGE: -55°C to +100°C

TEST DATA: Swept data plots of SWR from 50 MHz to 18 GHz is available at additional cost.

CONNECTOR: SMA connector per MIL-STD-348 interface dimensions - mate nondestructively with SMK, 3.5mm, 2.92mm and SMA connectors per MIL-C-39012 .

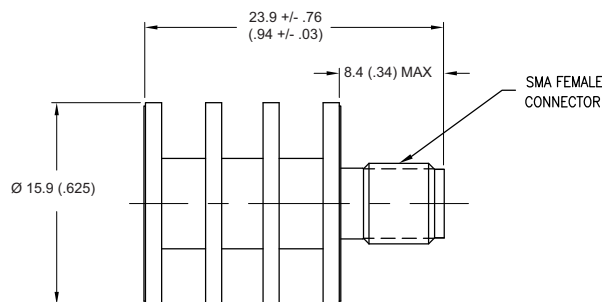
Choice of male (-2) or female (-1) connector.

CONSTRUCTION: Black, finned aluminum body, stainless steel connector; gold plated beryllium copper contacts.

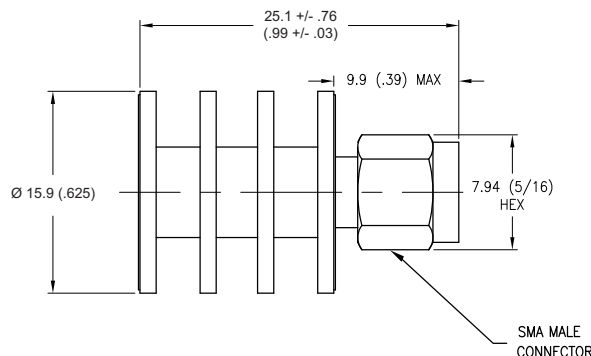
WEIGHT: 10 g (0.35 oz)

PHYSICAL DIMENSIONS:

Model 1443A-1:



Model 1443A-2:



NOTE: All dimensions are given in mm (inches) and are maximum, unless otherwise specified.