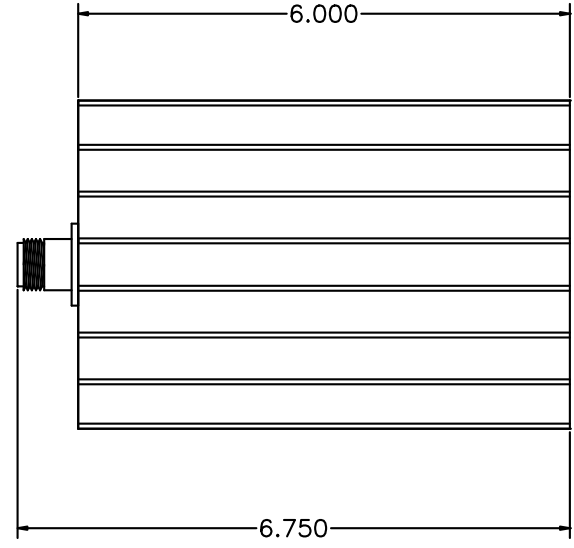
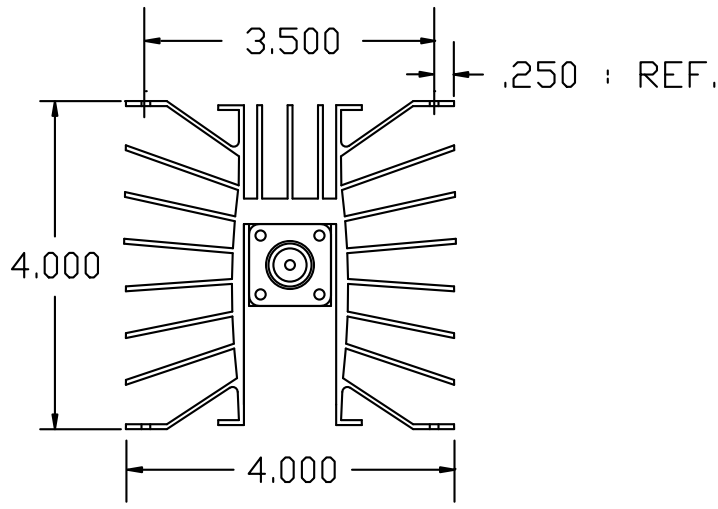


REVISIONS					
ZONE	REV	DESCRIPTION	Date	APPROVED	ECN#



MATERIALS

- HOUSING ALUMINUM, BLACK ANODIZE
- CONNECTOR TYPE "N" FEMALE CONFORMS TO MIL-C-39012
- HEAT SPREADER COPPER
- SUBSTRATE BERYLLIUM OXIDE
- RESISTIVE ELEMENT PROPRIETARY FILM
- COOLING CONVECTION AIR-COOLED

SPECIFICATIONS

- IMPEDANCE: 50 OHM
- FREQUENCY RANGE: D.C. TO 2.4 GHz
- VSWR: 1.10:1-DC TO 1.0 GHz
- 1.35:1-1.0 TO 2.4 GHz
- PEAK POWER: 2kW MAX.
- WEIGHT: 4.5 LBS. (2.04KG) MAX.
- CONDUCTION: DRY THERMAL

MATERIAL:			MICROWAVE COMMUNICATIONS LABORATORIES INC. 7255 30TH AVE. N. SAINT PETERSBURG, FL 33710 TEL: (727) 344-6254 FAX: (727) 381-6116 http://WWW.MCLI.COM		SCALE: 1:1
UNLESS OTHERWISE SPECIFIED: TOLERANCES IN (INCHES) OR [mm] (MILLIMETERS) FRACTIONS: ± 1/64 DECIMALS: ±.01 ±.005 ANGLE: ±1/2°			DRAWING TITLE: 150 WATTS TERMINATION		
DRAWN: Paiboon Luexhamhan		DATE: 03-07-2005		PART NO. PCT-150-NF	
APPROVED: Paiboon Luexhamhan		DATE: 03-07-2005		CAGE CODE: OD2L5	SIZE: N/A REV: N/A DWG NO. 82301
PROPRIETARY NOTICE: THE INFORMATION IN THIS DRAWING IS PROPRIETARY AND SHALL NOT BE USED OR DISCLOSED WITHOUT WRITTEN PERMISSION FROM MICROWAVE COMMUNICATIONS LABORATORIES INC. (MCLI)		THIRD ANGLE PROJECTION		DO NOT SCALE THE DRAWING	