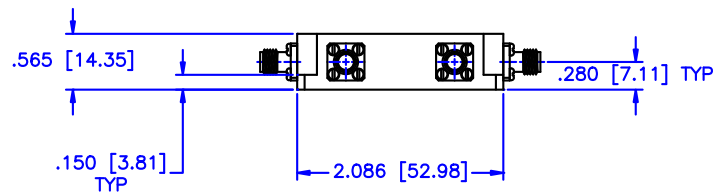
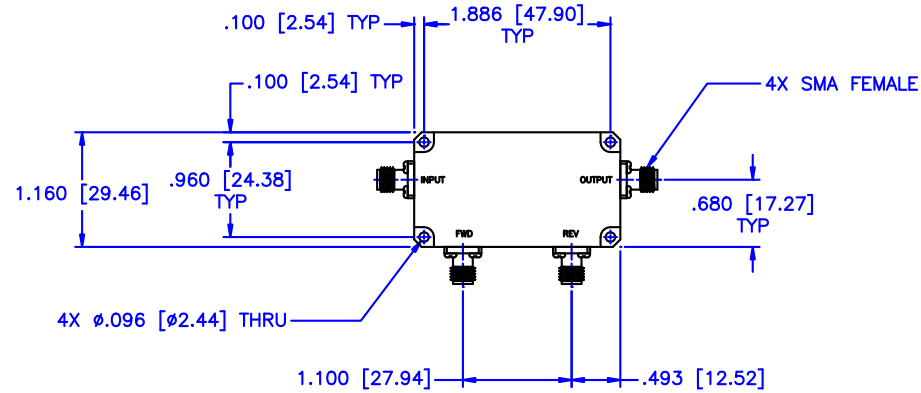


REVISIONS				
ZONE	REV	DESCRIPTION	DATE	APPROVED



**SPECIFICATIONS:**

- FREQUENCY RANGE: 10–1000 MHz
- COUPLING:  $40 \pm 1.0$  dB Nom.
- FLATNESS:  $\pm 0.5$  dB
- INSERTION LOSS: 0.40 dB Max.
- DIRECTIVITY: 20 dB Min.
- VSWR PRIME LINE: 1.20:1 Max.
- POWER: 250 Watts CW

MATERIAL:		<b>MICROWAVE COMMUNICATIONS LABORATORIES INC.</b> 7255 30TH AVE. N. SAINT PETERSBURG, FL 33710 TEL: (727) 344-6254 FAX: (727) 381-6116 <a href="http://WWW.MCLI.COM">http://WWW.MCLI.COM</a>	SCALE: N/A
			SHEET: N/A
<small>UNLESS OTHERWISE SPECIFIED:          TOLERANCES          IN (INCHES) OR [mm] (MILLIMETERS)          FRACTIONS: <math>\pm 1/64</math>          DECIMALS: <math>\pm .02 \pm .015</math>          ANGLE: <math>\pm 1/2^\circ</math></small>		DRAWING TITLE: <b>HIGH POWER DUAL DIRECTIONAL COUPLER</b>	
DRAWN: Paiboon Luekhamhan		PART NO. <b>HDL-29-40</b>	
DATE: 08-05-2011		CAGE CODE: OD2L5	
APPROVED: T. Nguyen		DATE: 08-05-2011	
<small>PROPRIETARY NOTICE:          THE INFORMATION IN THIS DRAWING IS PROPRIETARY          AND SHALL NOT BE USED OR DISCLOSED WITHOUT WRITTEN          PERMISSION FROM MICROWAVE COMMUNICATIONS          LABORATORIES INC. (MCLI)</small>		SIZE: C	REV: N/A
		DWG NO. 85808	
DO NOT SCALE THE DRAWING			