

Coaxial

# Voltage Controlled Oscillator

## ZX95-2920C+

Linear Tuning 2500 to 2920 MHz

### Features

- low phase noise
- low pushing
- low pulling
- protected by US patent 6,790,049

### Applications

- r & d
- lab
- instrumentation
- wireless communications
- multipoint distribution service
- wire line broadband access



CASE STYLE: GB956

Connectors	Model	Price	Qty.
SMA	ZX95-2920C-S+	\$ 40.95ea.	(1-9)

**+RoHS Compliant**  
The +Suffix identifies RoHS Compliance. See our web site for RoHS Compliance methodologies and qualifications

### Electrical Specifications

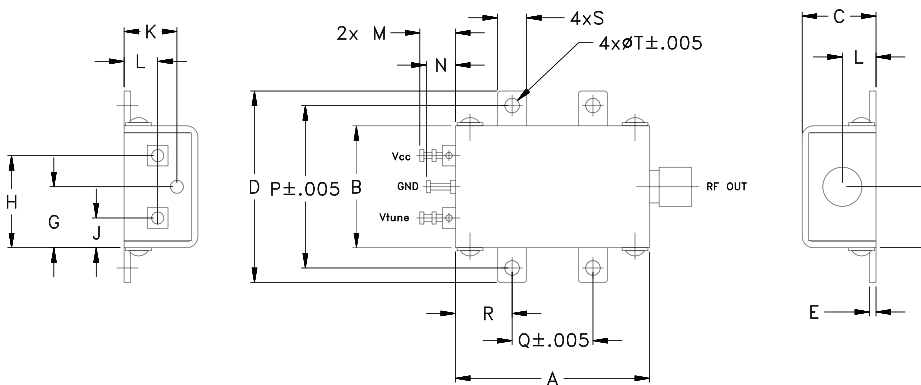
MODEL NO.	FREQ. (MHz)		POWER OUTPUT (dBm)	PHASE NOISE dBc/Hz SSB at offset frequencies, KHz				TUNING					NON HARMONIC SPURIOUS (dBc)	HARMONICS (dBc)		PULLING pk-pk @ 12 dB <sub>r</sub> (MHz)	PUSHING (MHz/V)	DC OPERATING POWER	
	Min.	Max.		Typ.	1	10	100	1000	VOLTAGE RANGE (V)	SENSI-TIVITY (MHz/V)	PORT CAP (pF)	3 dB MODULATION BANDWIDTH (MHz)		Typ.	Typ.			Typ.	Max.
ZX95-2920C+	2500	2920	+7	-79	-107	-128	-147	0.5	16	34-42	20	150	-90	-25	-15	2	0.2	8	38

### Maximum Ratings

Operating Temperature	-55°C to 85°C
Storage Temperature	-55°C to 100°C
Absolute Max. Supply Voltage (V <sub>cc</sub> )	9V
Absolute Max. Tuning Voltage (V <sub>tune</sub> )	17V
All specifications	50 ohm system

Permanent damage may occur if any of these limits are exceeded.

### Outline Drawing



### Outline Dimensions (inch/mm)

A	B	C	D	E	F	G	H	J	K	L	M	N	P	Q	R	S	T	wt.
1.20	.75	.46	1.18	.04	.38	.38	.57	.18	.33	.21	.22	.18	1.00	.50	.35	.18	.106	grams
30.48	19.05	11.68	29.97	1.02	9.65	9.65	14.48	4.57	8.38	5.33	5.59	4.57	25.40	12.70	8.89	4.57	2.69	35.0



For detailed performance specs & shopping online see web site

P.O. Box 350166, Brooklyn, New York 11235-0003 (718) 934-4500 Fax (718) 332-4661 The Design Engineers Search Engine  Provides ACTUAL Data Instantly at [minicircuits.com](http://minicircuits.com)

**Notes:** 1. Performance and quality attributes and conditions not expressly stated in this specification sheet are intended to be excluded and do not form a part of this specification sheet. 2. Electrical specifications and performance data contained herein are based on Mini-Circuit's applicable established test performance criteria and measurement instructions. 3. The parts covered by this specification sheet are subject to Mini-Circuits standard limited warranty and terms and conditions (collectively, "Standard Terms"); Purchasers of this part are entitled to the rights and benefits contained therein. For a full statement of the Standard Terms and the exclusive rights and remedies thereunder, please visit Mini-Circuits' website at [www.minicircuits.com/MCLStore/terms.jsp](http://www.minicircuits.com/MCLStore/terms.jsp).

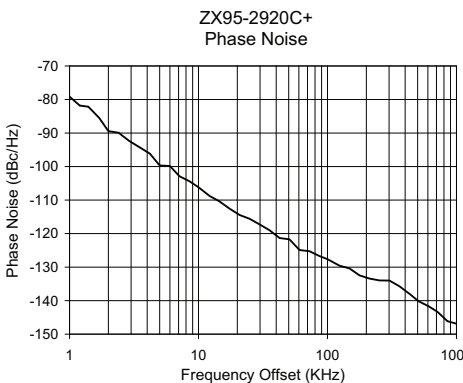
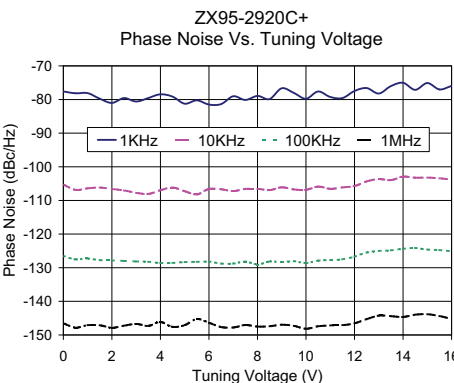
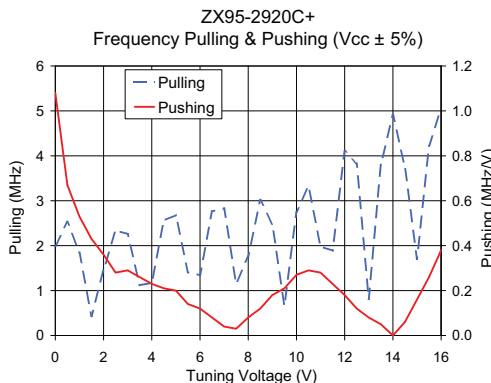
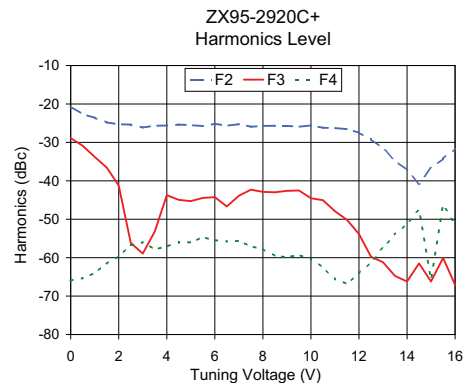
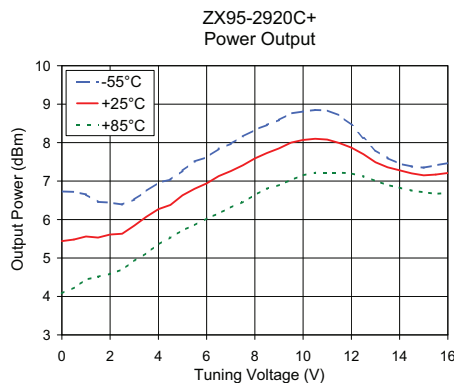
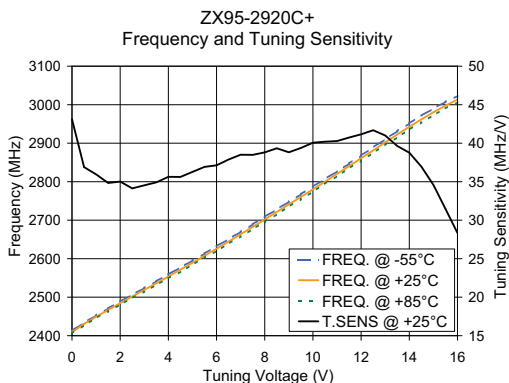
REV. OR  
M108616  
EDR-8271  
ZX95-2920C+  
RAV  
120904  
Page 1 of 2

# Performance Data & Curves\*

# ZX95-2920C+

V TUNE	TUNE SENS (MHz/V)	FREQUENCY (MHz)			POWER OUTPUT (dBm)			Icc (mA)	HARMONICS (dBc)			FREQ. PUSH (MHz/V)	FREQ. PULL (MHz)	PHASE NOISE (dBc/Hz) at offsets				FREQ OFFSET (KHz)	PHASE NOISE at 2715 MHz (dBc/Hz)
		-55°C	+25°C	+85°C	-55°C	+25°C	+85°C		F2	F3	F4			1kHz	10kHz	100kHz	1MHz		
0.00	43.11	2412.8	2409.1	2405.7	6.73	5.44	4.08	33.07	-20.7	-28.9	-65.9	1.08	1.99	-77.6	-105.3	-126.5	-146.5	1.0	-79.16
0.50	36.89	2433.9	2430.6	2427.3	6.72	5.48	4.23	33.07	-22.7	-30.9	-65.3	0.67	2.53	-78.1	-106.9	-127.6	-147.8	2.0	-89.43
1.00	35.95	2452.6	2449.1	2445.7	6.65	5.56	4.44	33.06	-23.6	-33.8	-64.0	0.53	1.85	-78.1	-106.4	-127.3	-147.1	3.5	-94.27
1.50	34.83	2470.9	2467.1	2463.4	6.46	5.53	4.51	33.03	-24.8	-36.5	-61.6	0.43	0.43	-79.8	-106.2	-127.8	-147.1	6.0	-99.85
2.00	35.01	2488.6	2484.5	2480.8	6.44	5.61	4.59	33.01	-25.3	-41.2	-59.6	0.36	1.46	-81.0	-106.6	-127.8	-147.9	8.5	-104.38
3.00	34.53	2524.0	2519.1	2514.7	6.52	5.84	4.92	32.98	-26.1	-58.9	-56.0	0.29	2.26	-80.6	-107.7	-128.2	-146.7	10.0	-106.18
4.00	35.63	2559.0	2553.8	2548.9	6.96	6.27	5.35	32.93	-25.6	-43.7	-57.1	0.23	1.17	-78.4	-107.0	-128.6	-146.1	20.8	-114.44
5.00	36.27	2595.2	2589.4	2584.2	7.27	6.63	5.72	32.89	-25.5	-45.3	-56.0	0.20	2.68	-81.2	-107.3	-128.3	-146.9	35.5	-119.00
6.00	37.13	2632.1	2626.0	2620.4	7.62	6.94	6.03	32.83	-25.1	-44.2	-55.4	0.12	1.34	-81.5	-106.6	-128.2	-146.4	60.7	-124.91
7.00	38.50	2669.9	2663.5	2657.8	7.97	7.26	6.31	32.78	-25.3	-43.9	-55.7	0.04	2.83	-79.0	-107.2	-128.8	-147.8	86.7	-126.70
8.00	38.81	2708.7	2702.0	2696.1	8.33	7.59	6.64	32.74	-25.7	-42.9	-57.7	0.08	1.76	-78.9	-106.6	-129.1	-147.5	100.0	-127.64
8.50	39.34	2728.1	2721.4	2715.5	8.46	7.73	6.80	32.72	-25.7	-43.0	-59.6	0.12	3.02	-79.9	-107.0	-128.2	-147.4	148.1	-130.39
9.00	38.82	2747.9	2741.1	2735.1	8.59	7.85	6.90	32.71	-25.7	-42.6	-59.9	0.18	2.48	-76.7	-106.1	-128.3	-146.9	177.0	-132.45
10.00	40.06	2787.1	2780.2	2774.3	8.81	8.07	7.15	32.66	-25.6	-44.5	-60.3	0.27	2.75	-79.8	-106.8	-128.6	-148.2	211.6	-133.42
11.00	40.27	2826.9	2820.3	2814.5	8.84	8.08	7.22	32.63	-26.3	-47.9	-65.6	0.28	1.98	-79.3	-106.6	-127.8	-147.2	302.4	-134.03
12.00	41.15	2867.8	2860.8	2854.7	8.46	7.87	7.20	32.59	-27.5	-53.8	-64.1	0.18	4.11	-77.5	-105.7	-126.7	-146.6	361.5	-135.72
13.00	41.00	2910.5	2902.2	2895.3	7.80	7.49	7.00	32.55	-31.6	-61.2	-57.5	0.08	0.81	-78.2	-103.7	-125.0	-144.2	507.5	-140.17
14.00	38.77	2951.7	2942.5	2935.2	7.45	7.28	6.83	32.53	-37.2	-66.2	-51.1	0.00	4.92	-75.0	-102.9	-124.4	-144.6	606.7	-141.66
15.00	34.59	2990.1	2980.4	2972.8	7.35	7.15	6.71	32.50	-36.7	-66.2	-65.6	0.16	1.70	-75.1	-103.2	-124.6	-143.8	851.6	-146.14
16.00	28.33	3022.9	3013.4	3006.1	7.47	7.21	6.69	32.49	-31.6	-67.1	-51.3	0.38	5.05	-76.0	-103.8	-125.1	-145.2	1000.0	-146.87

\*at 25°C unless mentioned otherwise



For detailed performance specs & shopping online see web site

P.O. Box 350166, Brooklyn, New York 11235-0003 (718) 934-4500 Fax (718) 332-4661 The Design Engineers Search Engine Provides ACTUAL Data Instantly at [minicircuits.com](http://minicircuits.com)

IF/RF MICROWAVE COMPONENTS

Notes: 1. Performance and quality attributes and conditions not expressly stated in this specification sheet are intended to be excluded and do not form a part of this specification sheet. 2. Electrical specifications and performance data contained herein are based on Mini-Circuit's applicable established test performance criteria and measurement instructions. 3. The parts covered by this specification sheet are subject to Mini-Circuits standard limited warranty and terms and conditions (collectively, "Standard Terms"). Purchasers of this part are entitled to the rights and benefits contained therein. For a full statement of the Standard Terms and the exclusive rights and remedies thereunder, please visit Mini-Circuits' website at [www.minicircuits.com/MCLStore/terms.jsp](http://www.minicircuits.com/MCLStore/terms.jsp).