



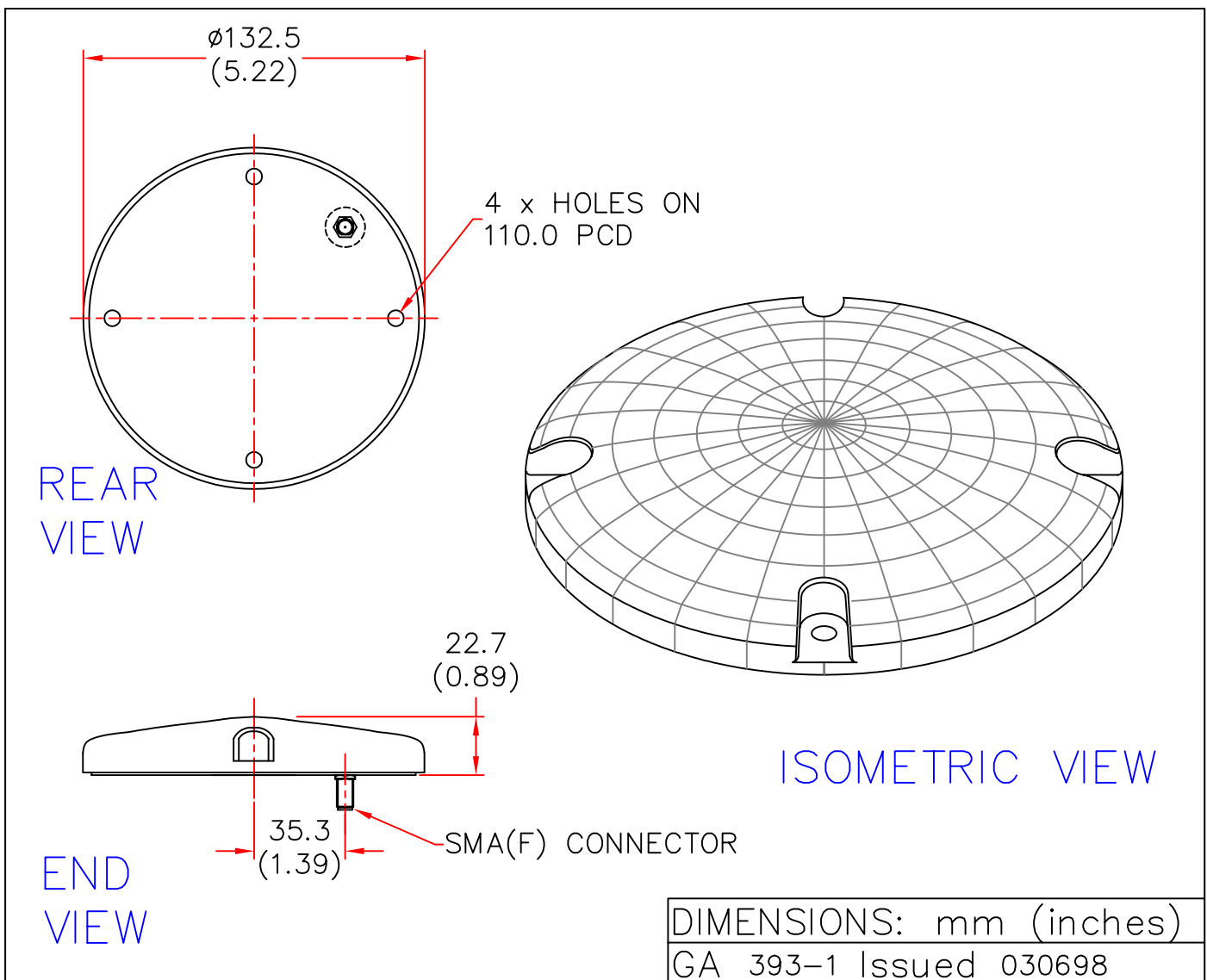
EUROPEAN ANTENNAS



LOW PROFILE ANTENNA

MODEL: LPA7-1394R/393

FREQUENCY: 1.36 – 1.44 GHz	GAIN: 7 dBiC
POLARISATION: R.H.Circular	BEAMWIDTH: 80° x 80°
AXIAL RATIO: 4 dB	VSWR: 1.5:1
POWER RATING: 10W	FRONT TO BACK: 20 dB
TEMPERATURE: -20°C to +50°C	MASS: 200g/0.44lbs
RADOME: White Injection Moulded	WIND LOADING: 7.03Kg/15.5lbs @ 100 mph



EUROPEAN ANTENNAS LTD.

TEL: +44 (0)1638 731888

LAMBDA HOUSE, CHEVELEY,
NEWMARKET, SUFFOLK, CB8 9RG,
UNITED KINGDOM.

FAX: +44 (0)1638 731999

European Antennas Ltd. has a policy of continuous development and therefore stress that the data contained on this sheet should be used for guidance only.