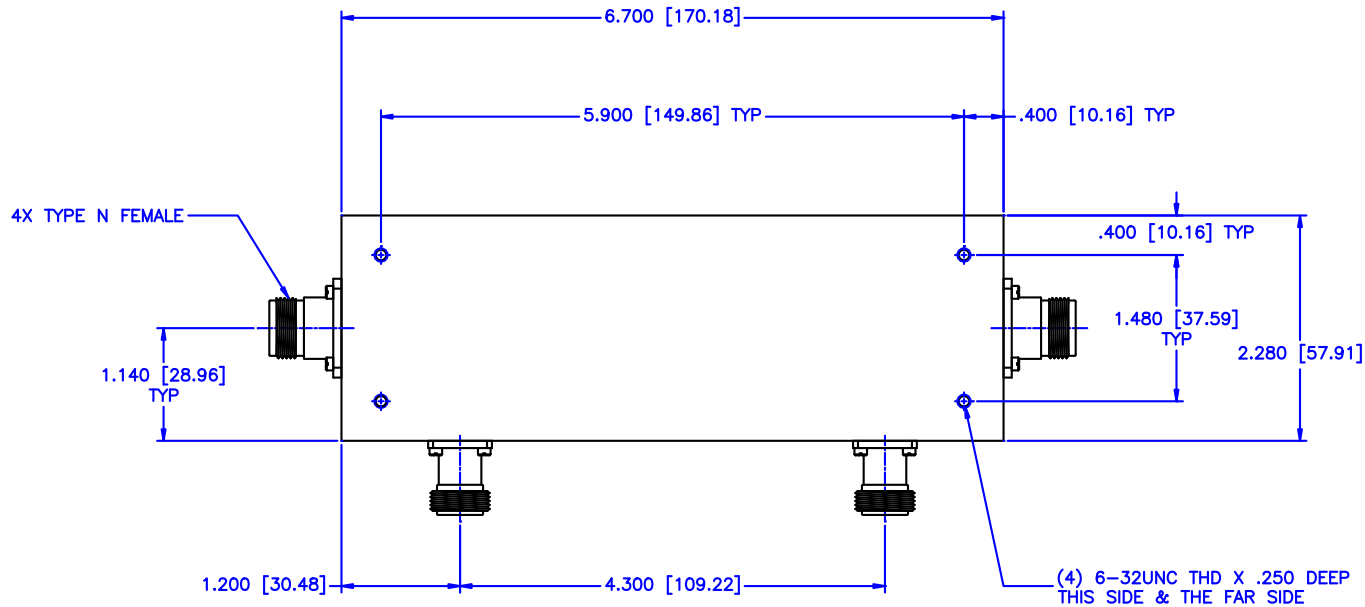


REVISIONS				
ZONE	REV	DESCRIPTION	DATE	APPROVED



SPECIFICATIONS

FREQUENCY RANGE: 0.01-1000 MHz
 FLATNESS: ± 0.50 dB Max.
 INSERTION LOSS: 0.45dB Max.
 DIRECTIVITY: 20dB Min.
 VSWR PRIME LINE: 1.30:1 Max.
 POWER: 500 Watts CW

MATERIAL:	
DRAWN: Paiboon Luekhamhan	DATE: 08-03-2006
APPROVED: T. Nguyen	DATE: 08-03-2006

MCLI MICROWAVE COMMUNICATIONS LABORATORIES INC. 7255 30TH AVE. N. SAINT PETERSBURG, FL 33710 TEL: (727) 344-6254 FAX: (727) 381-6116 http://WWW.MCLI.COM	SCALE:	N/A
	SHEET:	N/A
UNLESS OTHERWISE SPECIFIED: TOLERANCES IN (INCHES) OR [mm] (MILLIMETERS) FRACTIONS: $\pm 1/64$ DECIMALS: $\pm 0.01 \pm 0.005$ ANGLE: $\pm 1/2^\circ$	DRAWING TITLE: HIGH POWER DUAL DIRECTIONAL COUPLER	
PROPRIETARY NOTICE: THE INFORMATION IN THIS DRAWING IS PROPRIETARY AND SHALL NOT BE USED OR DISCLOSED WITHOUT WRITTEN PERMISSION FROM MICROWAVE COMMUNICATIONS LABORATORIES INC. (MCLI)	PART NO.: HDL-1-40-500/NF	
THIRD ANGLE PROJECTION	CAGE CODE: OD2L5	SIZE: C REV: N/A DWG NO.: 80462
DO NOT SCALE THE DRAWING		