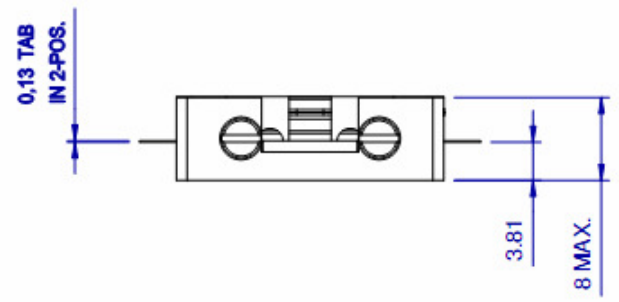
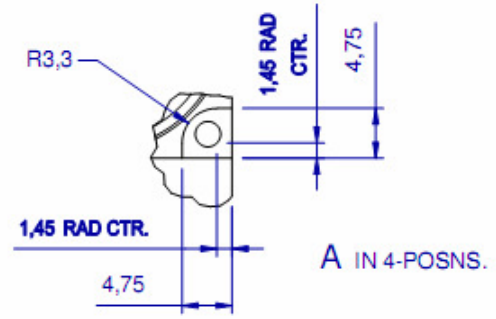
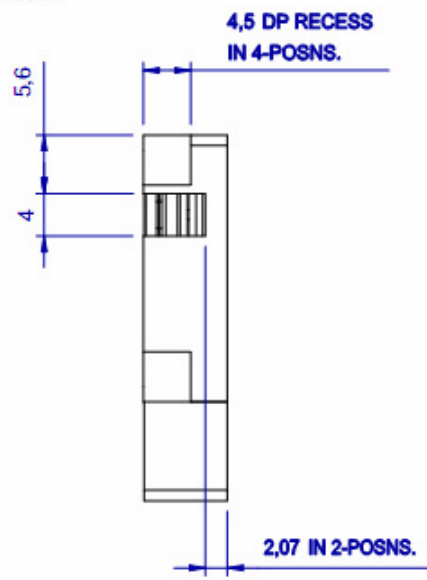
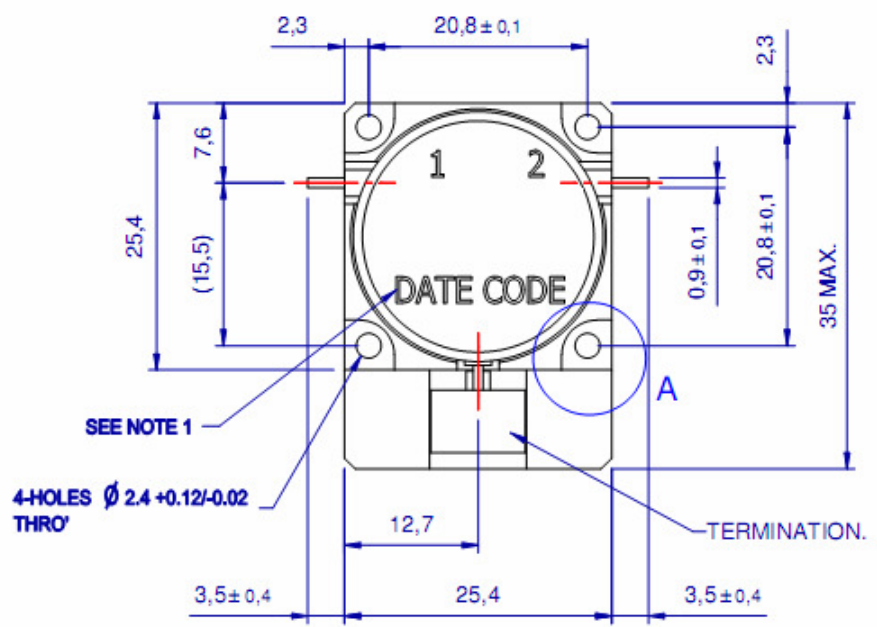
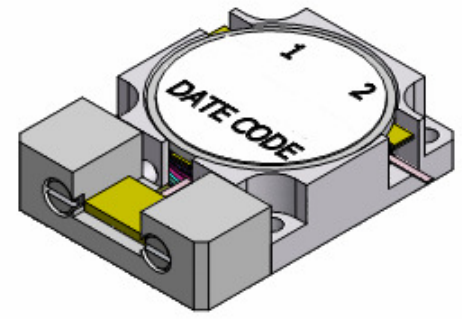
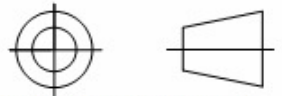


THIS DRAWING IS MESL MICROWAVE PROPERTY  
IT MAY NOT BE COPIED OR EXHIBITED WITHOUT WRITTEN PERMISSION

**MESL MICROWAVE**



5		GEN-ECN-10137
4		GEN-ECN-10030
3		GEN-ECN-9916
2		GEN-ECN-9858
1		DRN 4848

Q.A.	
DATE	
PROD.REL.	
DATE	
ENG.APP.	
DATE	
MECH. ENG.	
DATE	
DRAWN	
A.B.	
DATE	

LIGHTLY REMOVE ALL BURRS AND SHARP EDGES U.O.S.	
ORIGINAL SCALE 2/1	MATERIAL SPECIFICATION
DO NOT SCALE PRINT	
DIMENSION IN mm	FINISH SPECIFICATION
	<b>BODY : BRIGHT NICKEL PLATED.</b>
CERTIFIED AT ISSUE	<b>TERMN. HSG : ELECTROLESS NICKEL PLATED.</b>

REF	DESCRIPTION	No OFF	CHAR.	POS.TOL.	ISSUE	DATE	MOD NUMBER
<b>GREEN (Fully Released)</b>							A 3
<b>MESL MICROWAVE</b>				SECURITY CLASSIFICATION			
RESPONSIBLE AUTHORITY				CONTRACTORS DRAWING NUMBER			
<b>OUTLINE DRG. FOR 900MHZ PACKAGE DROP-IN ISOLATOR</b>				<b>9317-000-OL</b>			
FINISH TO BE 1.6 ✓				SERVICE DRAWING NUMBER			
UNLESS OTHERWISE STATED				SHEET No 1 OFF 1			