

# Terminations & Loads



## Model 1477 SMK Connectors

dc to 40.0 GHz  
10 Watts



**RoHS**



**TEMPERATURE RANGE:** -55°C to +125°C

**TEST DATA:** Swept data plots of SWR from 50 MHz to 40 GHz is available at additional cost.

**CONNECTOR:** SMK (2.92mm) connector mate non-destructively with SMA per MIL-C-39012, 3.5mm and other 2.92mm connectors. Choice of male (-2) or female connector (-1).

**CONSTRUCTION:** Black, finned aluminum body, gold plated beryllium copper contacts.

**WEIGHT:** 200 g (7 oz)

**PHYSICAL DIMENSIONS:**

### Features

- /// **Compact Construction** - Lowest size/power ratio.
- /// **Precision Injection Molded Connector.**

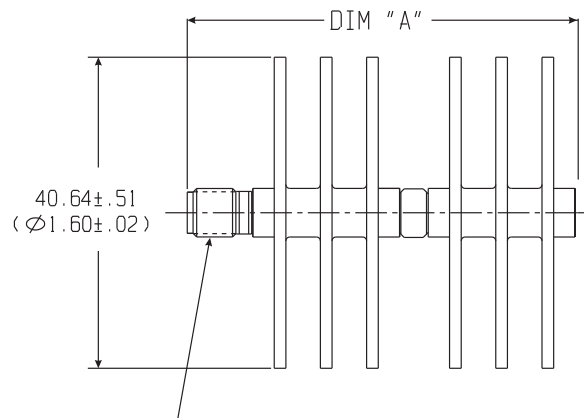
### Specifications

**NOMINAL IMPEDANCE:** 50 Ω

**FREQUENCY RANGE:** dc to 40.0 GHz

MAXIMUM SWR:	
Frequency (GHz)	SWR
dc - 18	1.20
18 - 40	1.35

**POWER RATING:** 10 watts **average** (mounted horizontally) to 25°C ambient temperature, derated linearly to 0.5 watts @ 125°C. 200 watts **peak** (5 μsec pulse width; 1.25% duty cycle).



Model #	DIM A	Connector Type
1477-1		SMK female
1477-2		SMK male

NOTE: All dimensions are given in mm (inches) and are maximum, unless otherwise specified.