



50 Ohm SMA Frequency Doubler With Input From 2 GHz to 6 GHz  
And Output From 4 GHz to 12 GHz With 11 dB Conversion Loss

TECHNICAL DATA SHEET

PE8601

**Configuration**

Design	Doubler
Input Connector	SMA Female
Input Connector Impedance	50 Ohms
Output Connector	SMA Female

**Electrical Specifications**

Input Frequency Range, GHz	2 to 6
Output Frequency Range, GHz	4 to 12
Fundamental Isolation, dB	25
1dB Compression Point, dBm	13

**Mechanical Specifications**

**Size**

Length, in [mm]	1.55 [39.37]
Width/Dia., in [mm]	0.31 [7.87]
Height, in [mm]	0.59 [14.99]
Body Material and Plating	Passivated Stainless Steel

**Input Connector**

Type	SMA Female
Body Material and Plating	Passivated Stainless Steel

**Output Connector**

Type	SMA Female
Body Material and Plating	Passivated Stainless Steel

**Compliance Certifications** (visit [www.Pasternack.com](http://www.Pasternack.com) for current document)

Not RoHS Compliant	
REACH Compliant	06/18/2012

Click the following link (or enter part number in "SEARCH" on website) to obtain additional part information including price, inventory and certifications: [50 Ohm SMA Frequency Doubler With Input From 2 GHz to 6 GHz And Output From 4 GHz to 12 GHz With 11 dB Conversion Loss PE8601](#)





## 50 Ohm SMA Frequency Doubler With Input From 2 GHz to 6 GHz And Output From 4 GHz to 12 GHz With 11 dB Conversion Loss

### TECHNICAL DATA SHEET

PE8601

#### Plotted and Other Data

Notes:

- Values at +25 °C, sea level

50 Ohm SMA Frequency Doubler With Input From 2 GHz to 6 GHz And Output From 4 GHz to 12 GHz With 11 dB Conversion Loss from Pasternack Enterprises has same day shipment for domestic and International orders. Our RF, microwave and millimeter wave products maintain a 99% availability and are part of the broadest selection in the industry.

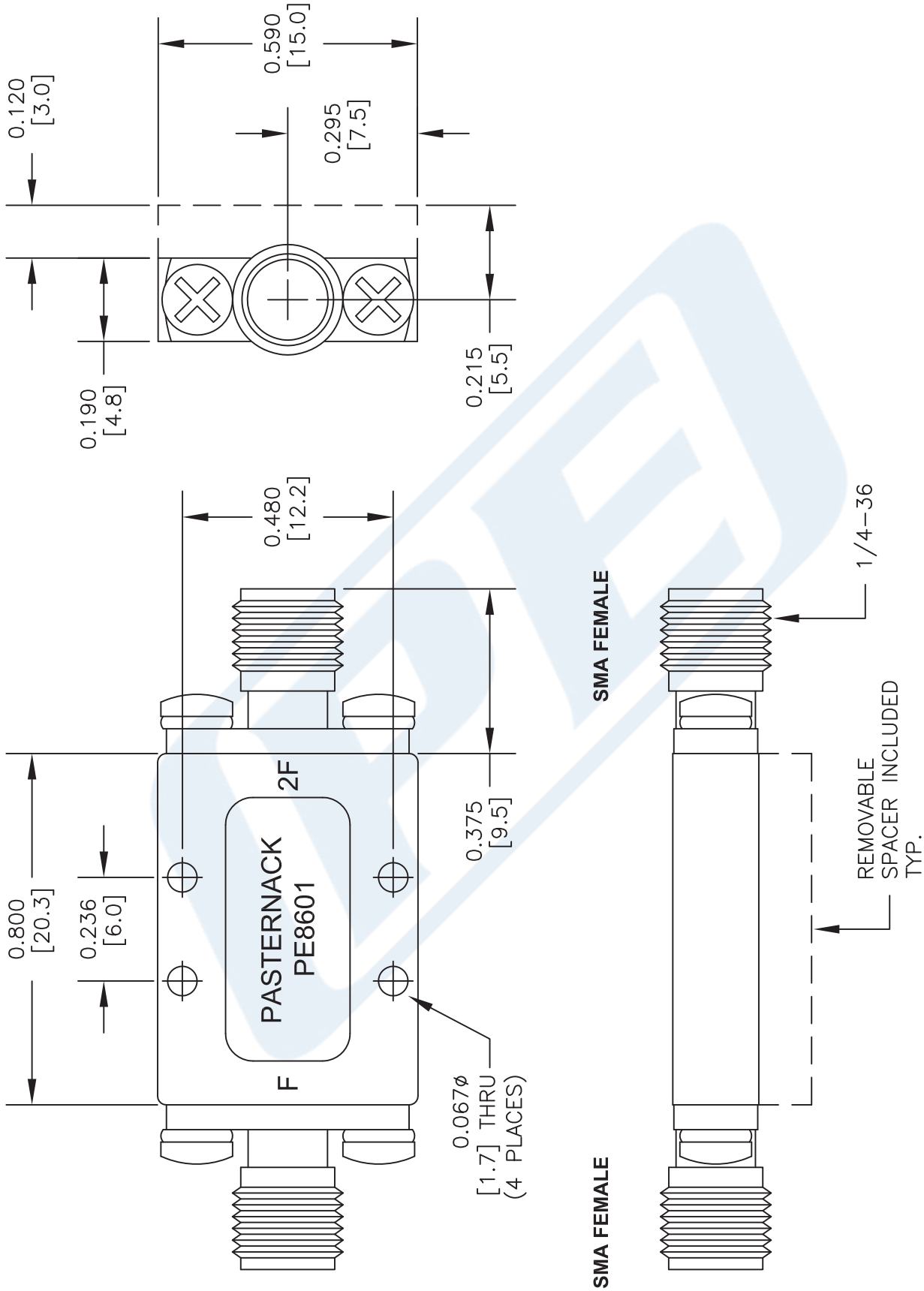
Click the following link (or enter part number in "SEARCH" on website) to obtain additional part information including price, inventory and certifications: [50 Ohm SMA Frequency Doubler With Input From 2 GHz to 6 GHz And Output From 4 GHz to 12 GHz With 11 dB Conversion Loss PE8601](http://www.pasternack.com/50-ohm-sma-doubler-input-2000-6000-output-2000-6000-11db-loss-pe8601-p.aspx)

URL: <http://www.pasternack.com/50-ohm-sma-doubler-input-2000-6000-output-2000-6000-11db-loss-pe8601-p.aspx>

The information contained in this document is accurate to the best of our knowledge and representative of the part described herein. It may be necessary to make modifications to the part and/or the documentation of the part, in order to implement improvements. Pasternack reserves the right to make such changes as required. Unless otherwise stated, all specifications are nominal. Pasternack does not make any representation or warranty regarding the suitability of the part described herein for any particular purpose, and Pasternack does not assume any liability arising out of the use of any part or documentation.

# PE8601 CAD Drawing

50 Ohm SMA Frequency Doubler With Input From 2 GHz to 6 GHz And  
Output From 4 GHz to 12 GHz With 11 dB Conversion Loss



DWG TITLE

**PE8601**

NOTES:  
1. UNLESS OTHERWISE SPECIFIED ALL DIMENSIONS ARE NOMINAL.  
2. ALL SPECIFICATIONS ARE SUBJECT TO CHANGE WITHOUT NOTICE AT ANY TIME.  
3. DIMENSIONS ARE IN INCHES [mm].

FSCM NO. 53919

CAD FILE 092313

SCALE N/A

SIZE A

2233

**PE PASTERNAK®**

Pasternack Enterprises, Inc.  
P.O. Box 16759 | Irvine | CA | 92623  
Phone: (949) 261-1920 | Fax: (949) 261-7451  
Website: www.pasternack.com | E-Mail: sales@pasternack.com