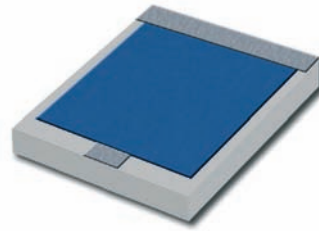
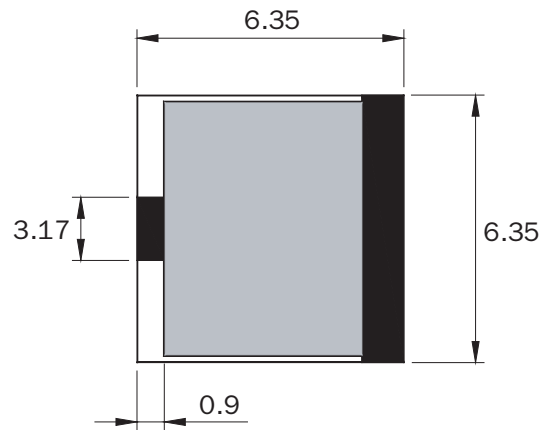
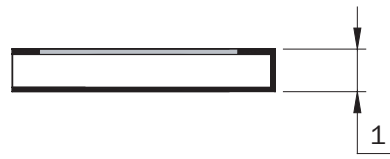
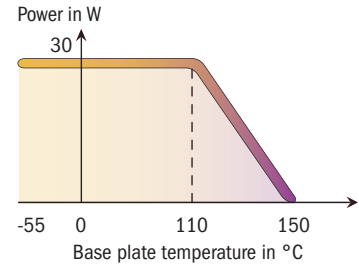


Standards
NF C 96-315
MIL-DTL-39030



Substrate
Resistive film
Protection film
Contacts

Al₂O₃
Thick film
Epoxy
PtAg



Dimensions in mm

P/N	Frequency (GHz)	Power (W)	Impedance ($\Omega \pm 5\%$)	Max VSWR
46-0007	3.5	30	50	1.20

mm	inch
0.9	0.035
1	0.039
3.17	0.125
6.35	0.250

Available on Tap and Reel Packaging