



ANATECH ELECTRONICS, INC.

Manufacturer of RF & Microwave Products

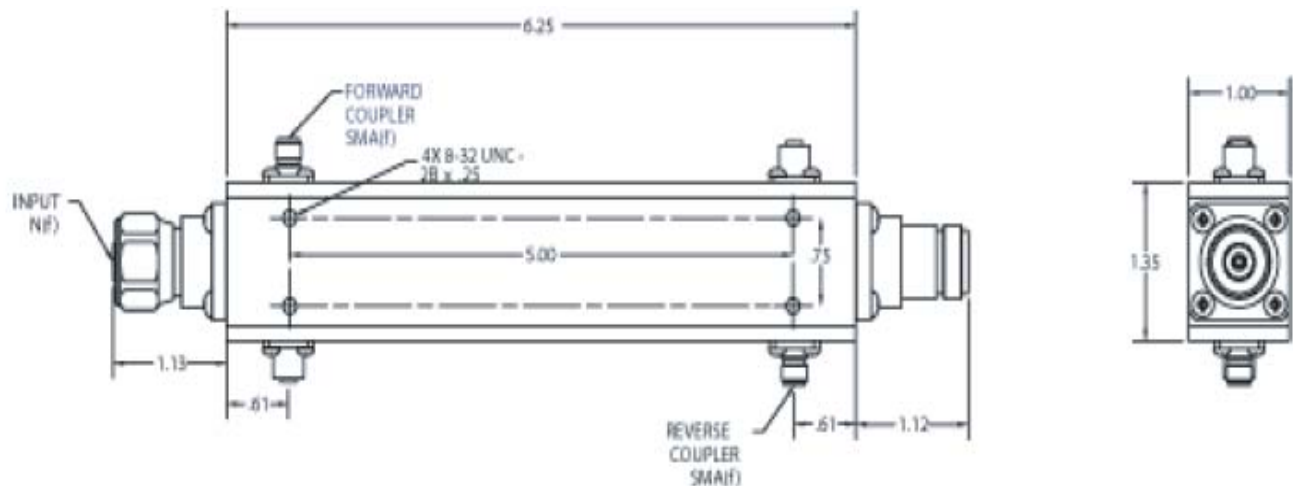


30-3000 MHz 30 dB Dual Directional Coupler

P/N: AM1515DC860

Frequency range	30-3000 MHz		
Coupling Value	30-380 MHz 30-50 dB Nom.	380-500 MHz 33 dB Max	500-3000 MHz 30+/- 0.75 dB
Directivity	33 dB Typ		25 dB Min
Insertion Loss	0.12 dB Typ		0.20 dB Max
VSWR and (Return Loss) Input and Output Coupled Port	1.07 (30 dB) Typ. 1.15 (23 dB) Typ		1.12 (25 dB) Min. 1.3 (17.7 dB) Min.
Impedance	50 Ohm		
Intermodulation IM3 (2 x 43 dBm carrier)	155 dBc		
Max. Power	500 W Avg, 3KW Peak		
Termination Max. Power	3 W Avg		
Connectors	Type N Main Line, male/female SMA (F) Coupled Ports		
Material: Housing Inner Conductor & Connectors	Aluminum, Conversion Coating Brass, Silver Plated		
DC continuity Input to Output Input to Coupled Port	RF and DC RF only		
Weight approx	1.2 kg (2.64 lb)		

Outline Drawing:





ANATECH ELECTRONICS, INC.

Manufacturer of RF & Microwave Products



30-3000 MHz 30 dB Dual Directional Coupler

P/N: AM1515DC860

