

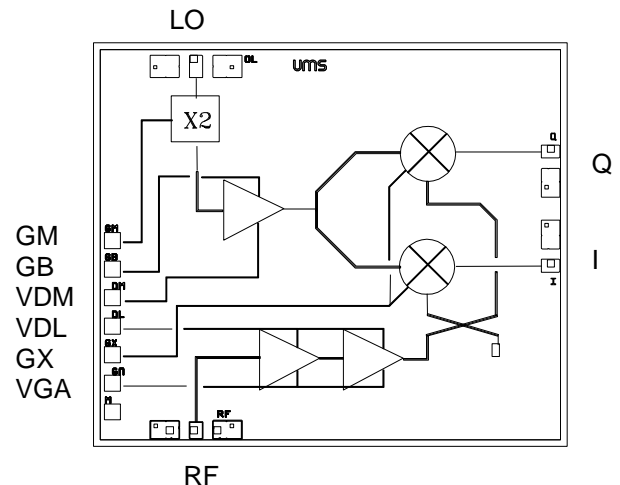
20-24GHz Integrated Down Converter

GaAs Monolithic Microwave IC

Description

The CHR2293 is a multifunction chip which integrates a LO X2 multiplier, a balanced cold FET mixer, and a RF LNA. It is designed for a wide range of applications, typically commercial communication systems. The backside of the chip is both RF and DC grounds. This helps simplify the assembly process.

The circuit is manufactured with a pHEMT process, 0.25µm gate length, via holes through the substrate, air bridges and electron beam gate lithography. It is available in chip form.



Main Features

- Broadband performances: 20-24GHz
- 11 dB conversion gain
- 4dB noise figure, for IF>0.1GHz
- 10dBm LO input power
- -8dBm RF input power (1dB gain comp.)
- Low DC power consumption, 130mA@3.5V
- Chip size: 2.49 X 1.97 X 0.10mm

Main Characteristics

Tamb. = 25°C

	Parameter	Min	Typ	Max	Unit
F _{RF}	RF frequency range	20		24	GHz
F _{LO}	LO frequency range	9.25		12.75	GHz
F _{IF}	IF frequency range	DC		1.5	GHz
G _c	Conversion gain		+11		dB

ESD Protection : Electrostatic discharge sensitive device. Observe handling precautions !

Electrical Characteristics for Broadband Operation

Tamb = +25°C, Vdm = Vdl = 3.5V, Vgm=-0.9V, Vgb=-0.7V, Vgx=-0.8V, Vga=-0.55V

Symbol	Parameter	Min	Typ	Max	Unit
F _{RF}	RF frequency range	20		24	GHz
F _{LO}	LO frequency range	9.25		12.75	GHz
F _{IF}	IF frequency range	DC		1.5	GHz
G _c	Conversion gain (1)		+11		dB
NF	Noise Figure, for IF>0.1GHz (1)		4		dB
P _{LO}	LO Input power		+10		dBm
Img Sup	Image Suppression (2)	13	17		dBc
P1dB	Input power at 1dB gain compression		-8		dBm
LO VSWR	Input LO VSWR (1)		2.0:1		
RF VSWR	Input RF VSWR (1)		2.0:1		
I _d	Bias current (3)		130		mA

(1) On Wafer measurements

(2) With external I/Q combiner

(3) Current source biasing network is recommended. Optimum performances for I_{dm}= 50mA and I_{dl}= 80mA

Absolute Maximum Ratings

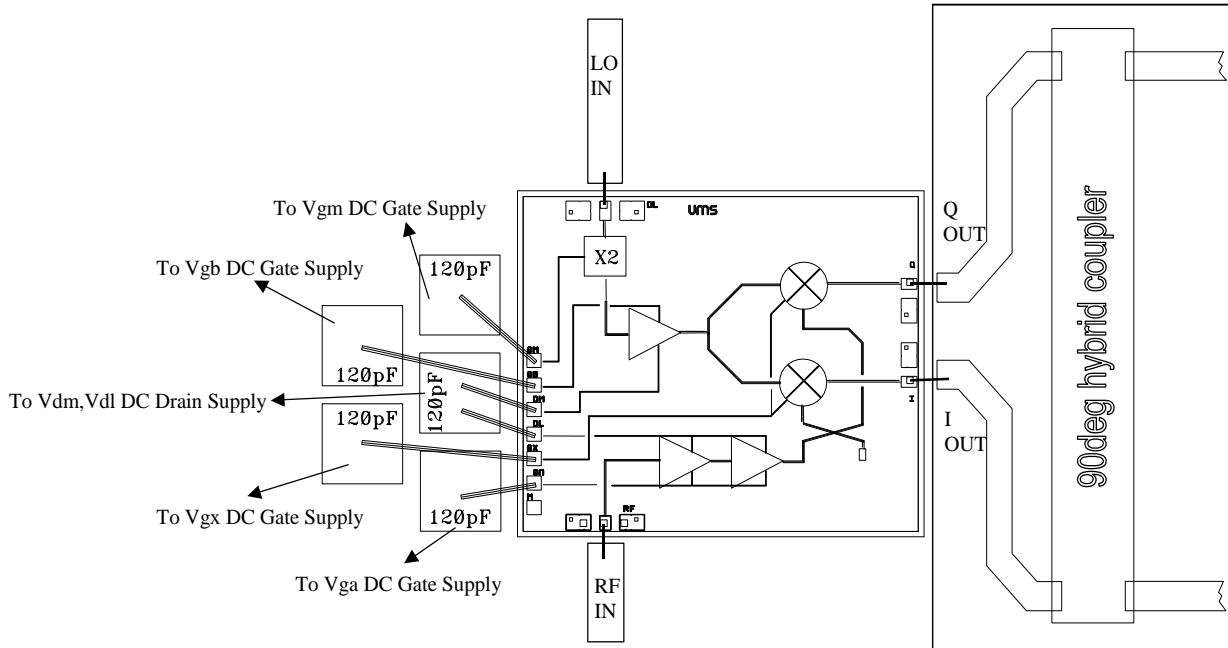
Tamb. = 25°C (1)

Symbol	Parameter	Values	Unit
V _d	Drain bias voltage	4.0	V
I _d	Drain bias current	200	mA
V _g	Gate bias voltage	-2.0 to +0.4	V
P _{in}	Maximum peak input power overdrive (2)	+15	dBm
T _a	Operating temperature range	-40 to +85	°C
T _{stg}	Storage temperature range	-55 to +155	°C

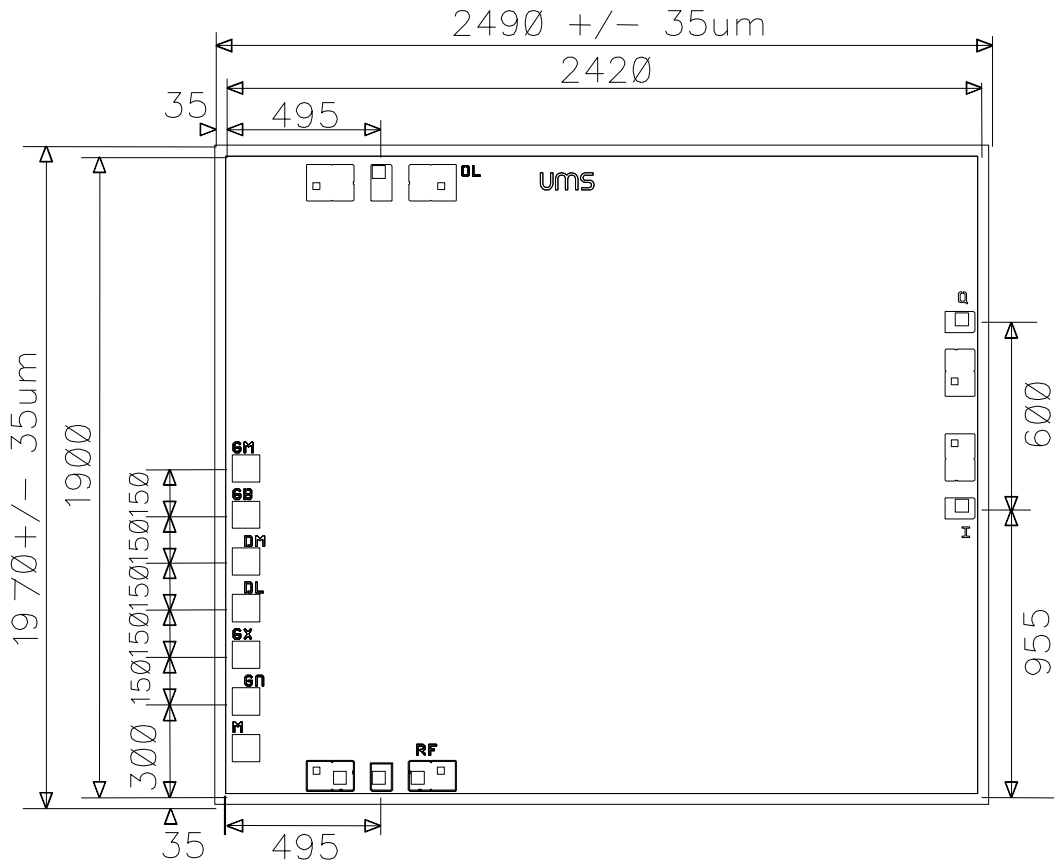
(1) Operation of this device above anyone of these parameters may cause permanent damage.

(2) Duration < 1s.

Chip Assembly and Mechanical Data



Note : Supply feed should be capacitively bypassed. 25µm diameter gold wire is recommended



Bonding pad positions

(Chip thickness: 100µm. All dimensions are in micrometers)

Ordering Information

Chip form : CHR2293-99F/00

Information furnished is believed to be accurate and reliable. However **United Monolithic Semiconductors S.A.S.** assumes no responsibility for the consequences of use of such information nor for any infringement of patents or other rights of third parties which may result from its use. No license is granted by implication or otherwise under any patent or patent rights of **United Monolithic Semiconductors S.A.S.**. Specifications mentioned in this publication are subject to change without notice. This publication supersedes and replaces all information previously supplied. **United Monolithic Semiconductors S.A.S.** products are not authorised for use as critical components in life support devices or systems without express written approval from **United Monolithic Semiconductors S.A.S.**