

SPECIFICATIONS

FREQUENCY RANGE: DC-18 GHz

VSWR: 1.25:1 MAX.

INPUT POWER: 1 WATT (1kW PEAK)

IMPEDANCE: 50 OHMS

OPERATING TEMPERATURE: -55°C to +150°C

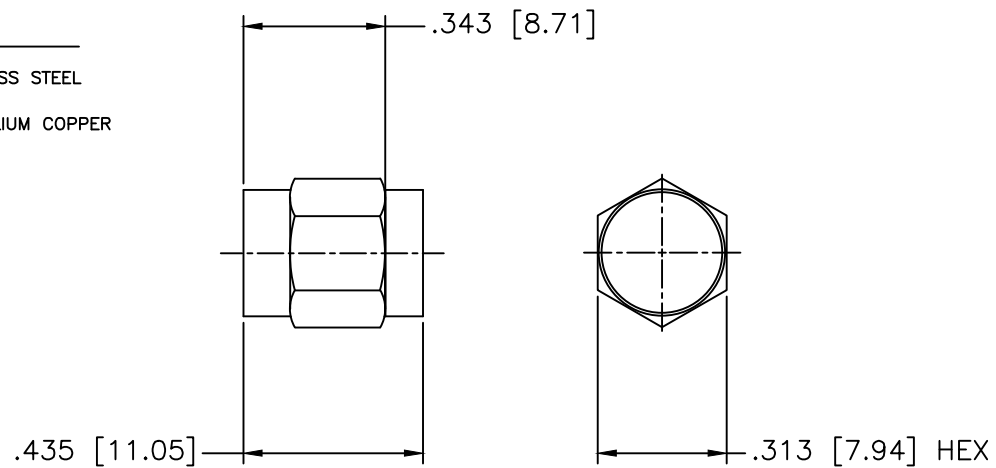
MECHANICAL

CONNECTOR BODY: PASSIVATED STAINLESS STEEL

CONTACT PROBE: GOLD PLATE BERYLLIUM COPPER

TYPE: SMA MALE

REVISIONS				
ZONE	REV	DESCRIPTION	Date	APPROVED



MATERIAL:		MCLI MICROWAVE COMMUNICATIONS LABORATORIES INC. 7255 30TH AVE. N. SAINT PETERSBURG, FL 33710 TEL: (727) 344-6254 FAX: (727) 381-6116 http://WWW.MCLI.COM	SCALE:	N/A
			SHEET:	N/A
UNLESS OTHERWISE SPECIFIED: TOLERANCES IN (INCHES) OR [mm] (MILLIMETERS) FRACTIONS: ± 1/64 DECIMALS: ±.01 ±.005 ANGLE: ±1/2°		DRAWING TITLE: SMA MALE TERMINATION		
DRAWN: Paiboon Luekhamhan		PART NO. TSM-1		
DATE: 12-07-1997		CAGE CODE: OD2L5		
APPROVED: T. Nguyen		DATE: 12-07-1997		SIZE: N/A REV: A DWG NO.: 80769 DO NOT SCALE THE DRAWING
PROPRIETARY NOTICE: THE INFORMATION IN THIS DRAWING IS PROPRIETARY AND SHALL NOT BE USED OR DISCLOSED WITHOUT WRITTEN PERMISSION FROM MICROWAVE COMMUNICATIONS LABORATORIES INC. (MCLI)				