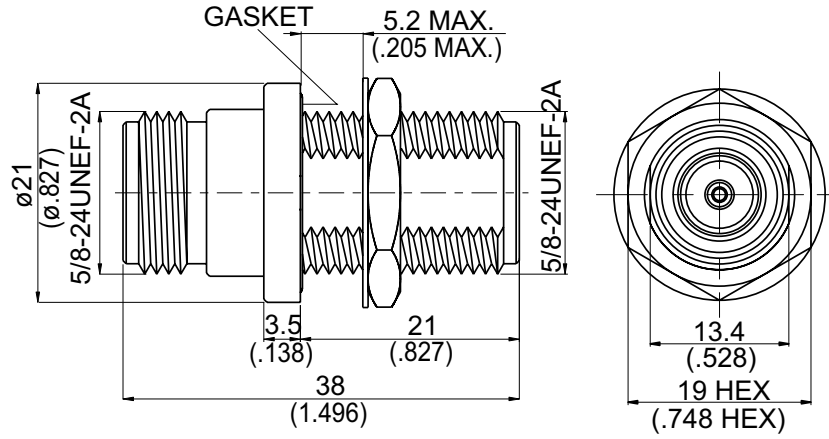
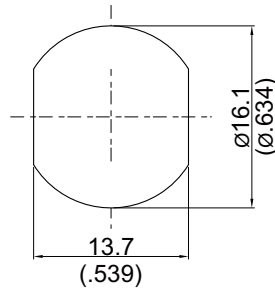


AD-N9N9-BF

N Reverse Polarity Jack To N Reverse Polarity Jack For Bulkhead  
50Ω



MOUNTING HOLE:



Typical VSWR

Part Number	1 GHz	2~3 GHz	4 GHz	5~8 GHz	9~10 GHz
AD-N9N9-BF	1.03	1.06	1.21	1.29	1.34

Parts	Material	Plating (Micro-inch)
Hex Nut	Brass	Tin-Zinc-Copper-Alloy 100 over Copper 50
Lock Washer	Brass	Tin-Zinc-Copper-Alloy 100 over Copper 50
Gasket	Silicon	
Contact Pin	Brass	Gold 10 Over Nickel 50 Over Copper 50
Insulator	Teflon	
Body	Brass	Tin-Zinc-Copper 100 over Copper 50

Weight: 46.35 g

This part number complies with RoHS.

Notice: JYEBAO reserves the right to make modifications deemed appropriate.