

# Ceramic Low Pass Filter

50Ω DC<sup>(1)</sup> to 1450 MHz

## LFCN-1450+ LFCN-1450



CASE STYLE: FV1206  
PRICE: \$2.99 ea. QTY (20)

**+RoHS Compliant**  
The +Suffix identifies RoHS Compliance. See our web site for RoHS Compliance methodologies and qualifications

**Available Tape and Reel at no extra cost**

Reel Size	Devices/Reel
7"	20, 50, 100, 200, 500, 1000, 3000

### Maximum Ratings

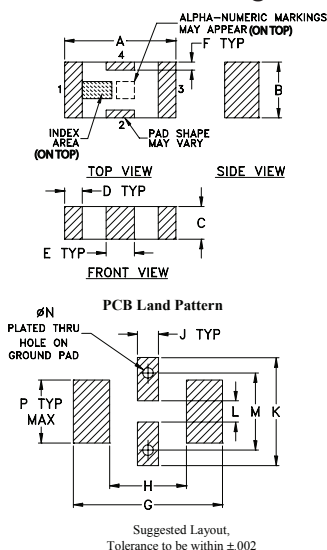
Operating Temperature	-55°C to 100°C
Storage Temperature	-55°C to 100°C
RF Power Input*	10W max. at 25°C

\* Passband rating, derate linearly to 3.5W at 100°C ambient. Permanent damage may occur if any of these limits are exceeded.

### Pin Connections

RF IN	1
RF OUT	3
GROUND	2,4

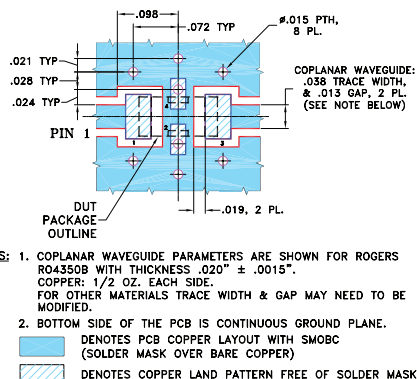
### Outline Drawing



### Outline Dimensions (inch)

A	B	C	D	E	F	G	
.126	.063	.037	.020	.032	.009	.169	
3.20	1.60	0.94	0.51	0.81	0.23	4.29	
H	J	K	L	M	N	P	wt
.087	.024	.122	.024	.087	.012	.071	grams
2.21	0.61	3.10	0.61	2.21	0.30	1.80	.020

### Demo Board MCL P/N: TB-270 Suggested PCB Layout (PL-137)



### Features

- excellent power handling, 10W
- small size
- 7 sections
- temperature stable
- LTCC construction
- protected by U.S Patent 6,943,646

### Applications

- harmonic rejection
- VHF/UHF transmitters/receivers
- lab use

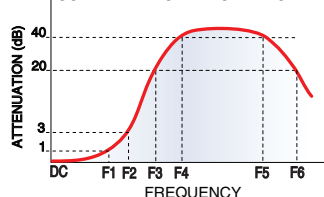
### Electrical Specifications<sup>(1,2)</sup> at 25°C

Parameter	F#	Frequency (MHz)	Min.	Typ.	Max.	Unit	
Pass Band	Insertion Loss	DC-F1	DC-1450	—	—	1.0	dB
	Freq. Cut-Off	F2	1825	—	3.0	—	dB
	VSWR	DC-F1	DC-1450	—	1.2	—	:1
Stop Band	Rejection Loss	F3	2025	20	—	—	dB
		F4-F5	2050-6600	—	30	—	dB
		F6	6700	—	20	—	dB
	VSWR	F3-F6	2025-6700	—	20	—	:1

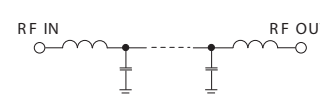
(1) In Application where DC voltage is present at either input or output ports, coupling capacitors are required.

(2) Measured on Mini-Circuits Characterization Test Board TB-270.

### Typical Frequency Response

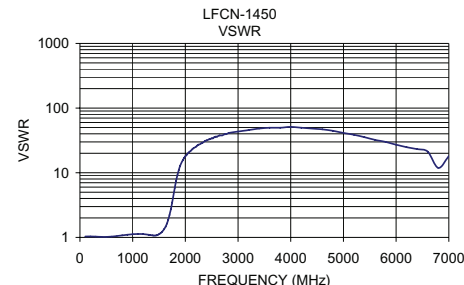
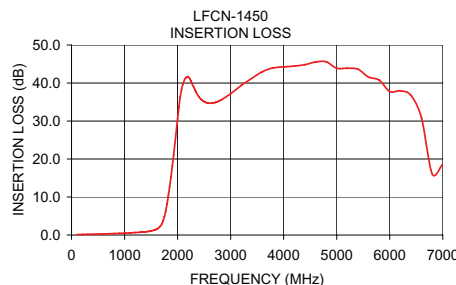


### Electrical Schematic



### Typical Performance Data at 25°C

Frequency (MHz)	Insertion Loss (dB)	VSWR (:1)
100.00	0.10	1.03
1000.00	0.50	1.12
1400.00	0.86	1.07
1600.00	1.49	1.35
1700.00	2.90	2.22
1800.00	8.10	5.85
2025.00	33.68	18.90
2050.00	36.32	19.98
2500.00	35.12	34.07
2700.00	34.84	37.77
3000.00	37.19	43.44
5000.00	43.89	41.37
6600.00	30.75	21.20
6800.00	16.06	11.85
7000.00	18.67	18.11



### Notes

- A. Performance and quality attributes and conditions not expressly stated in this specification document are intended to be excluded and do not form a part of this specification document.
- B. Electrical specifications and performance data contained in this specification document are based on Mini-Circuit's applicable established test performance criteria and measurement instructions.
- C. The parts covered by this specification document are subject to Mini-Circuits standard limited warranty and terms and conditions (collectively, "Standard Terms"); Purchasers of this part are entitled to the rights and benefits contained therein. For a full statement of the Standard Terms and the exclusive rights and remedies thereunder, please visit Mini-Circuits' website at [www.minicircuits.com/MCLStore/terms.jsp](http://www.minicircuits.com/MCLStore/terms.jsp)

