

DESCRIPTION:

PMI MODEL NUMBER DTA-0R5G4G-60-CD-1 IS A NON-REFLECTIVE 10 BIT PROGRAMMABLE 60 DB PIN DIODE ATTENUATOR WITH STEP RESOLUTION AS LOW AS 0.06 DB OVER THE FREQUENCY RANGE OF 0.5 TO 4.0 GHZ.

SPECIFICATIONS:

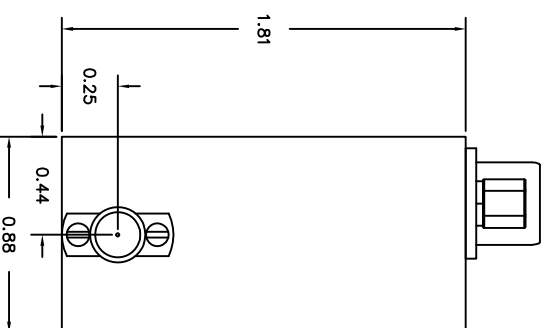
- FREQUENCY: 0.5 GHZ TO 4.0 GHZ
- MEAN ATTENUATION RANGE: 60dB
- INSERTION LOSS: 2.7 DB MAX
- VSWR: 1.8:1 MAX
- FLATNESS UP TO
 - 20 DB ±0.5 DB TYP
 - 40 DB ±0.75 DB TYP
 - 60 DB ±1.0 DB TYP
- ACCURACY OF ATTENUATION
 - 0 DB TO 20 DB ±1.0 DB TYP
 - 20 DB TO 40 DB ±1.5 DB TYP
 - 40 DB TO 60 DB ±2.0 DB TYP
- MINIMUM ATTENUATION STEP 0.06 DB
- SURVIVAL POWER: 2W Average from -65C to +25C
- SWITCHING TIME
 - ON TIME 1.0 USEC MAX
 - OFF TIME 0.5 USEC MAX
- DC POWER SUPPLY +15V @ 100mA MAX
 -15V @ 80 mA MAX
- CONNECTORS 2 SMA & 15 PIN D-SUB
 Shipped with Mating D-SUB
- WEIGHT 3.0 oz (85 gm) Approximate
- FINISH PAINTED GREY
- LOGIC INPUT
 - LOGIC "0" (BIT OFF) -0.3 to +0.8V
 - LOGIC "1" (BIT ON) +2.0 to +5.0V

ENVIRONMENTAL RATINGS:

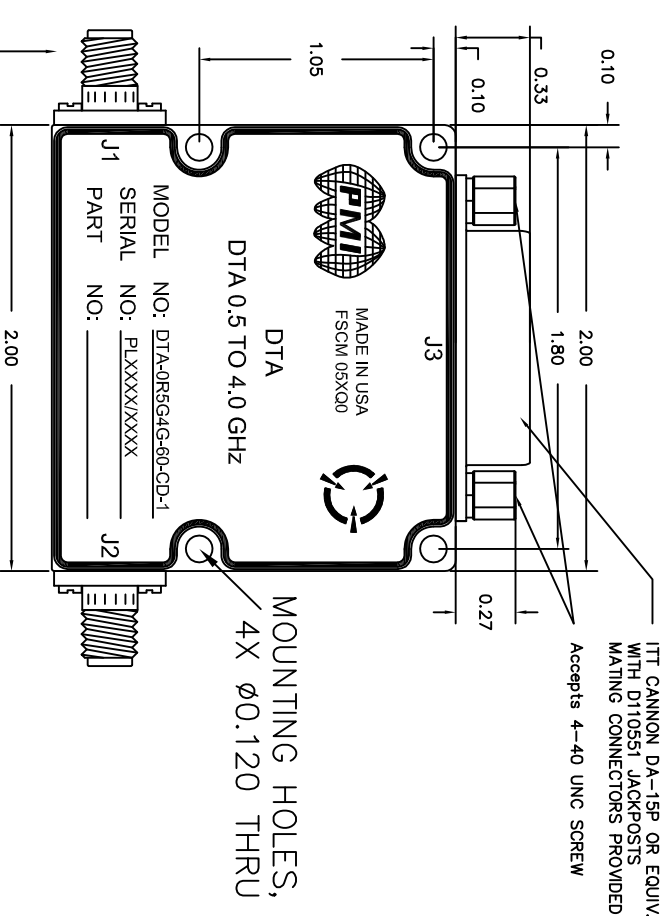
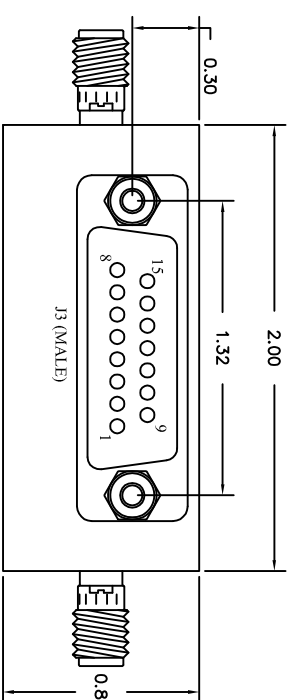
- TEMPERATURE: -50°C TO +100°C (OPERATING)
 -65°C TO +125°C (STORAGE)
- HUMIDITY: MIL-STD-202F, METHOD 103B COND. B
- SHOCK: MIL-STD-202F, METHOD 213B COND. B
- VIBRATION: MIL-STD-202F, METHOD 204D COND. B
- ALTITUDE: MIL-STD-202F, METHOD 105C COND. B
- TEMPERATURE CYCLE: MIL-STD-202F, METHOD 107

NOTE: THE ABOVE SPECIFICATIONS ARE SUBJECT TO CHANGE OR REVISION

PIN NO:	J3 PIN FUNCTIONS
1	GND
2	Not Connected
3	0.13 DB
4	GND
5	0.25 DB
6	0.5 DB
7	1.0 DB
8	2.0 DB
9	4.0 DB
10	8.0 DB
11	16.0 DB
12	32.0 DB (MSB)
13	+V
14	-V
15	0.06 DB (LSB)



REVISIONS		
ZONE	REV.	DESCRIPTION
	A	ORIGINAL RELEASE



SMA(F) - (2 PLACES)

PLANAR MONOLITHICS INDUSTRIES, INC.

7311-F GROVE ROAD
 FREDERICK, MARYLAND 21704 USA
 TEL: 301-662-5019 FAX: 301-662-1731
 WEBSITE: www.pmi-ri.com
 E-MAIL: sales@pmi-ri.com
 ISO 9001:2008 CERTIFIED



PRODUCT FEATURE

DTA-0R5G4G-60-CD-1

APPROVALS	DATE	TITLE	SIZE	FSCM NO.	DWG NO.	REV.
<i>gjk</i>	2/9/11	DTA-0R5G4G-60-CD-1	A	05X00	27013132	A
CHECKED		SCALE N:S				
ISSUED						

ALL DIMENSIONS ARE IN INCHES
 TOLERANCES:
 XXX ±0.020
 XXXX ±0.005