

**DESCRIPTION:**

PMI MODEL NUMBER DTA-2D42D5G-32-10-CD-SFF IS A NON-REFLECTIVE 10 BIT PROGRAMMABLE 32 DB PIN DIODE ATTENUATOR WITH STEP RESOLUTION AS LOW AS 0.03 DB OVER THE FREQUENCY RANGE OF 2.4 TO 2.5 GHZ.

**SPECIFICATIONS:**

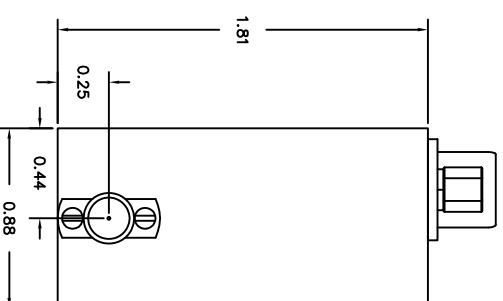
- FREQUENCY: . . . . . 2.4 GHZ TO 2.5 GHZ
- MEAN ATTENUATION RANGE: . . . . . 32 DB
- INSERTION LOSS: . . . . . 3 DB
- VSWR: . . . . . 1.75:1
- FLATNESS UP TO
  - 10 DB . . . . . ±0.1 DB TYP
  - 20 DB . . . . . ±0.15 DB TYP
  - 32 DB . . . . . ±0.175 DB TYP
- ACCURACY OF ATTENUATION
  - 10 DB . . . . . ±0.25 DB TYP
  - 20 DB . . . . . ±0.5 DB TYP
  - 32 DB . . . . . ±1.0 DB TYP
- MINIMUM ATTENUATION STEP: . . . . . 0.06 DB
- RF POWER: . . . . . 20 dBm MAX
- OPERATING POWER: . . . . . 15 dBm MAX
- SWITCHING TIME: . . . . . 1.0 usec, 500 nsec TYP.
- DC POWER SUPPLY: . . . . . +12V to +15V @ 100mA  
 -12 to -15V @ 80 mA
- CONNECTORS: . . . . . 2 SMA female & 15 PIN D-SUB  
 Shipped with Mating D-SUB
- WEIGHT: . . . . . 3.0 oz (85 gm) Approximate
- FINISH: . . . . . PAINTED GRAY
- LOGIC INPUT
  - LOGIC "0" (BIT OFF) . . . . . -0.3 to +0.8V
  - LOGIC "1" (BIT ON) . . . . . +2.0 to +5.0V

**ENVIRONMENTAL RATINGS:**

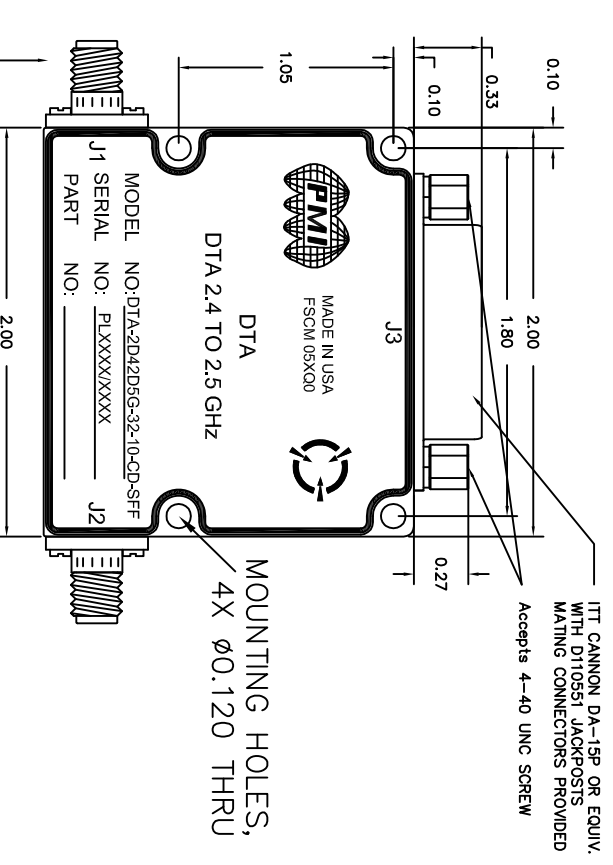
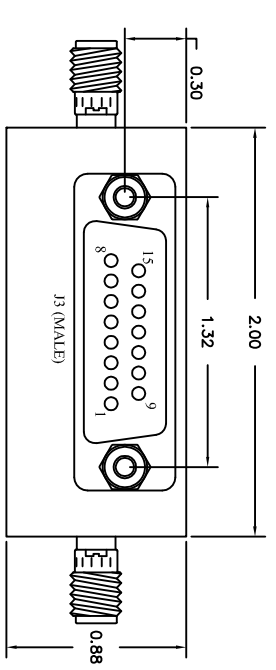
- TEMPERATURE: . . . . . -40°C TO +70°C (OPERATING)  
 -65°C TO +125°C (STORAGE)
- HUMIDITY: . . . . . MIL-STD-202F, METHOD 103B COND. B
- SHOCK: . . . . . MIL-STD-202F, METHOD 213B COND. B
- VIBRATION: . . . . . MIL-STD-202F, METHOD 204D COND. B
- ALTITUDE: . . . . . MIL-STD-202F, METHOD 105C COND. B
- TEMPERATURE CYCLE: . . . . . MIL-STD-202F, METHOD 107

NOTE: THE ABOVE SPECIFICATIONS ARE SUBJECT TO CHANGE OR REVISION

PIN NO:	J3 PIN FUNCTIONS
1	GND
2	Not Connected
3	0.13 dB
4	GND
5	0.25 dB
6	0.5 dB
7	1.0 dB
8	2.0 dB
9	4.0 dB
10	8.0 dB
11	16.0 dB
12	32.0 dB (MSB)
13	+V
14	-V
15	0.06 dB (LSB)




REVISIONS		
ZONE	REV.	DESCRIPTION
	A	ORIGINAL RELEASE



CONFIDENTIAL AND PROPRIETARY

**PLANAR MONOLITHICS INDUSTRIES, INC.**  
 7311-F GROVE ROAD  
 FREDERICK, MARYLAND 21704 USA  
 TEL: 301-662-5019 FAX: 301-662-1731  
 WEBSITE: www.pmi-irf.com  
 E-MAIL: sales@pmi-irf.com  
 ISO 9001:2008 CERTIFIED



APPROVALS	DATE	TITLE	SIZE	FSCM NO.	DWG NO.	REV.
NJA	9/8/11	PRODUCT FEATURE	A	05X00	27014901	A
CHECKED		DTA-2D42D5G-32-10-CD-SFF	SCALE	N:S		
ISSUED						

ALL DIMENSIONS ARE IN INCHES  
 TOLERANCES:  
 XXX ±0.020  
 XXXX ±0.005