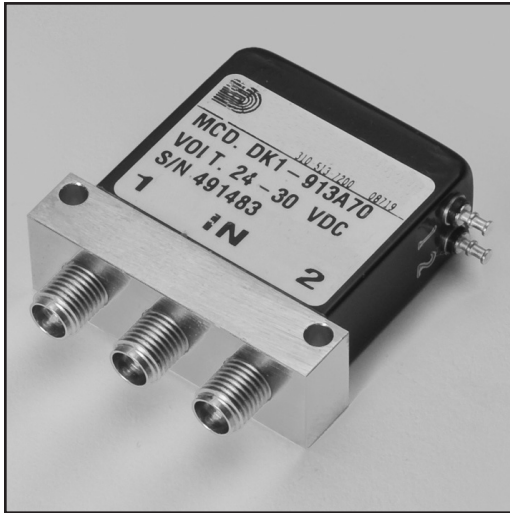


Click Here to  
Request Quote



The DK1 Series features K connectors and a frequency range of DC to 40 GHz.

This series is available with fail-safe, latching self cut-off or pulse latching functions.

<b>RF Impedance:</b>	50 ohms nominal
<b>Temperature Range:</b>	-35°C to +85°C ambient
<b>Operating Life:</b>	1,000,000 cycles min.
<b>Switching Time:</b>	15 mSec max.
<b>Switching Sequence:</b>	Break Before Make
<b>Environmental:</b>	Designed in Accordance to MIL-DTL-3928 (Testing and Operation Modes)

**SPECIFICATIONS**

Frequency	VSWR (max.)	Insertion Loss (dB max.)	Isolation (dB min.)
DC-6 GHz	1.30	0.30	70
6-12 GHz	1.40	0.40	60
12-18 GHz	1.50	0.50	60
18-26.5 GHz	1.70	0.70	55
26.5-32 GHz	1.90	0.80	50
32-40 GHz	2.00	1.00	50

Actuator Current (typical)	12Vdc	12-15 Vdc	20-24 Vdc	24-30Vdc
Fail-safe	240mA	300mA	200mA	140mA
Latching	141mA	176mA	109mA	88mA

\* If reduced coil current is required, please contact Factory.

**AVAILABLE OPTIONS**

OPTION 2 RF CONNECTORS	OPTION 4 VOLTAGE	OPTION 5 ACTUATOR	OPTION 6 FREQUENCY	OPTION 8 SPECIAL OPTIONS
9 - K	1 - 6 Vdc +/- 10% 2 - 12 Vdc +/- 10% 3 - 24-30 Vdc	<b>Fail-safe</b>	7 - DC to 40 GHz	L - TTL (High) LL - TTL (Low)
		A - Standard M - Diodes		
<b>OPTION 3 TERMINALS</b>	4 - 48 Vdc +/- 10% 5 - 110 Vac +/- 10% 6 - 12-15 Vdc 7 - 18-20 Vdc 8 - 20-24 Vdc	<b>Latching Self Cut-Off</b>	<b>OPTION 7 POLARITY</b>	
		D - Diodes E - Diodes, Indicators		
1 - Solder Terminals 4 - Sub Miniature D-Shell Connector		<b>Pulse Latching</b>		
		C - Standard Y - Diodes		
		F - Indicators L - Diodes, Indicators		

**DK1**

-

**9**

**7**

Option 1  
Series

Option 2  
RF Connectors

Option 3  
Terminals

Option 4  
Voltage

Option 5  
Actuator

Option 6  
Frequency

Option 7  
Polarity

Option 8  
Special  
Options

**DC TERMINAL FUNCTION**

PIN	FAILSAFE							LATCHING						
	A	M	A, M w/ TTL	B	Q	B, Q w/ TTL	C, Y	C, Y w/ TTL	D	D w/ TTL	E	E w/ TTL	F, L	F, L w/ TTL
1	N/A	N/A	2	2	2	2	2-/+	N/A	2-/+	N/A	2	2	2	2
2	N/A	N/A	-B	1	1	1	1-/+	2	1-/+	2	1	1	1	1
3	N/A	N/A	+A	COM	COM	COM	COM+/-	-B	COM+/-	-B	COM	COM	COM	COM
4	N/A	N/A	N/A	N/A	N/A	N/A	N/A	N/A	N/A	N/A	N/A	2	N/A	2
5	N/A	N/A	N/A	N/A	N/A	2	N/A	N/A	N/A	N/A	2-/+	1	2-/+	1
6	N/A	N/A	N/A	2	-2	-B	N/A	1	N/A	1	1-/+	-B	1-/+	-B
7	N/A	N/A	N/A	1	+1	+A	N/A	+A	N/A	+A	COM+/-	+A	COM+/-	+A
8	1	+1	N/A	N/A	N/A	N/A	N/A	N/A	N/A	N/A	N/A	N/A	N/A	N/A
9	2	-2	N/A	N/A	N/A	N/A	N/A	N/A	N/A	N/A	N/A	N/A	N/A	N/A

**SCHEMATICS**

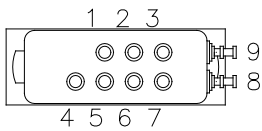
Pages 139-143

FIG.	3	3	4	3	3	4	15	16	9	10	9	10	15	16
------	---	---	---	---	---	---	----	----	---	----	---	----	----	----

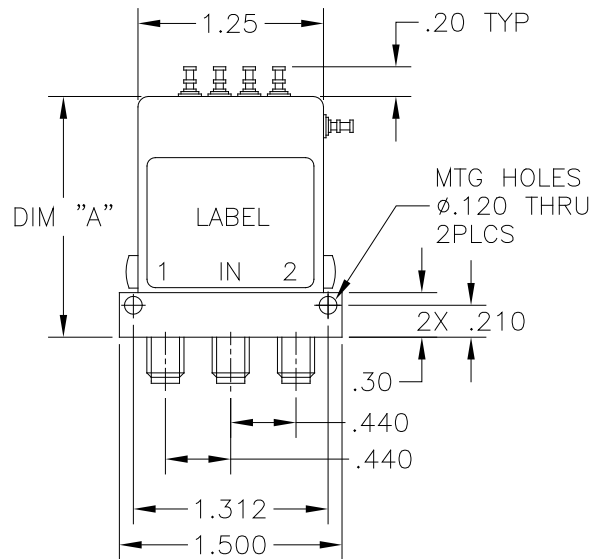
**OUTLINE DRAWING DIMENSION "A"**

1.42"	1.42"	1.92"	1.72"	1.62"	1.92"	1.42"	1.92"	1.62"	1.92"	1.62"	1.92"	1.62"	1.92"
-------	-------	-------	-------	-------	-------	-------	-------	-------	-------	-------	-------	-------	-------

**TOP VIEW**



**FRONT VIEW**



**SIDE VIEW**

