

WR-284 Standard Gain Horn Antenna Operates From 2.6 GHz to 3.95 GHz With a Nominal 20 dB Gain WR-284 Input

**TECHNICAL DATA SHEET** PE9863-20

**WR-284 Standard Gain Horn Antenna Operates From 2.6 GHz to 3.95 GHz With a Nominal 20 dB Gain WR-284 Input**

**Configuration**

Design	WR-284 Standard Gain Horn
Frequency Range, GHz	2.6 to 3.95
Polarization	Linear
Interface 1	WR-284

**Electrical Specifications**

Nominal Gain, dB	20
------------------	----

**Mechanical Specifications**

**Size**

Length, in [mm]	29.75 [755.65]
Width, in [mm]	15.7 [398.78]
Height, in [mm]	10.8 [274.32]
Weight, lbs [Kg]	8.5 [3.86]

**Compliance Certifications** (visit [www.Pasternack.com](http://www.Pasternack.com) for current document)

**Plotted and Other Data**

2 Dimensional OML Drawing	PE9863-20
Notes:	Values at 25 °C, sea level

WR-284 Standard Gain Horn Antenna Operates From 2.6 GHz to 3.95 GHz With a Nominal 20 dB Gain WR-284 Input from Pasternack Enterprises has same day shipment for domestic and International orders. Our RF, microwave and fiber optic products maintain a 99% availability and are part of the broadest selection in the industry.

Click the following link (or enter part number in "SEARCH" on website) to obtain additional part information including price, inventory and certifications: [WR-284 Standard Gain Horn Antenna Operates From 2.6 GHz to 3.95 GHz With a Nominal 20 dB Gain WR-284 Input PE9863-20](#)

URL: <http://www.pasternack.com/standard-gain-horn-waveguide-size-wr284-pe9863-20-p.aspx>

The information contained in this document is accurate to the best of our knowledge and representative of the part described herein. It may be necessary to make modifications to the part and/or the documentation of the part, in order to implement improvements. Pasternack reserves the right to make such changes as required. Unless otherwise stated, all specifications are nominal.

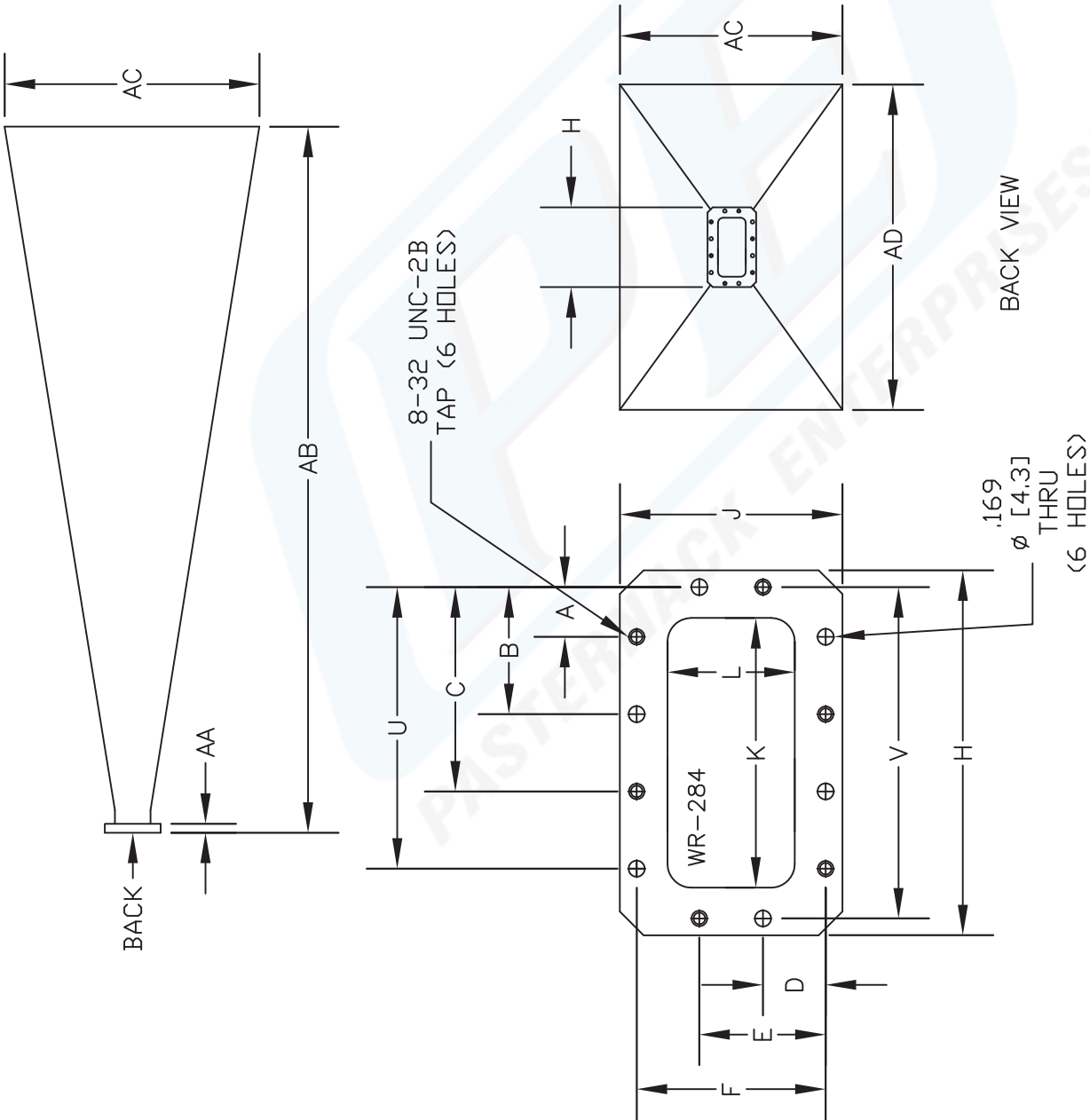


# PE9863-20 CAD Drawing

WR-284 Standard Gain Horn Antenna Operates From 2.6 GHz to 3.95 GHz With a Nominal 20 dB Gain WR-284 Input

WR284 Dimension	Inches	mm
A	0.524	13.31
B	1.338	33.99
C	2.152	54.66
U	2.966	75.34
V	3.490	88.65
D	0.660	16.76
E	1.330	33.78
F	1.990	50.55
H	3.845	97.66
J	2.344	59.54
K ( $\pm 0.004$ )	2.840	72.14
L ( $\pm 0.004$ )	1.340	34.04

AA	0.350	8.89
AB	29.750	755.65
AC	10.800	274.32
AD	15.700	398.78



NOTES:  
 1. UNLESS OTHERWISE SPECIFIED ALL DIMENSIONS ARE NOMINAL.  
 2. ALL SPECIFICATIONS ARE SUBJECT TO CHANGE WITHOUT NOTICE AT ANY TIME.  
 3. DIMENSIONS ARE IN INCHES [mm].

DWG TITLE  
**PE9863-20**

**PASTERNAK ENTERPRISES, INC.**  
 P.O. BOX 16759, IRVINE, CA 92623  
 PHONE (949) 261-1920 FAX (949) 261-7451  
 WEB ADDRESS: [www.pasternack.com](http://www.pasternack.com)  
 E-MAIL ADDRESS: [sales@pasternack.com](mailto:sales@pasternack.com)  
**COAXIAL & FIBER OPTICS**  
 ESTABLISHED 1972



REV. -	FSCM NO. 53919	CAD FILE 062705	SCALE N/A	SIZE A	127
--------	----------------	-----------------	-----------	--------	-----