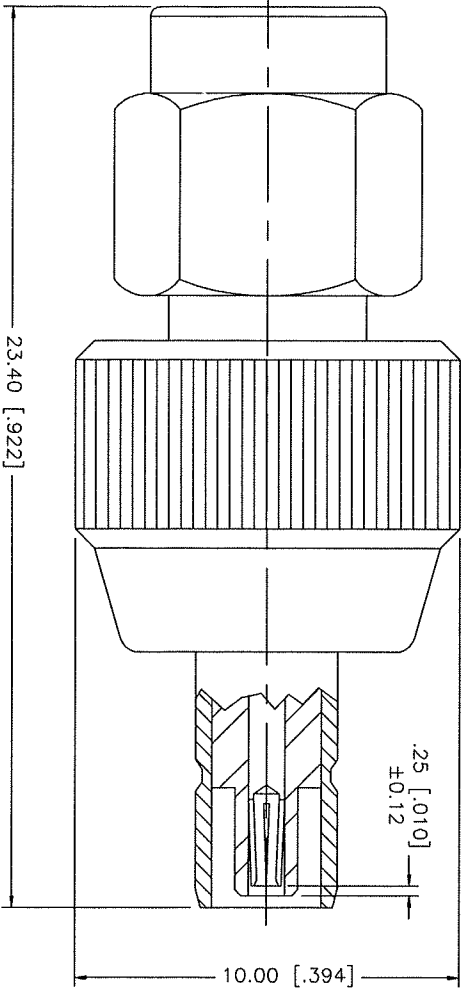


REV.	DATE	DESCRIPTION
NC	06/12/06	INITIAL RELEASE



QTY	FINISH	MATERIAL	DESCRIPTION
1	GOLD	BRASS	CONTACT PIN
2	NATURAL	TEFLON	INSULATOR
1	GOLD	BRASS	BODY/HOUSING

UNLESS OTHERWISE SPECIFIED DIMENSIONS ARE IN MILLIMETERS. DIMENSIONS IN [] ARE IN INCHES AND FOR CUSTOMER REFERENCE ONLY.	APPROVALS	DATE
UNLESS OTHERWISE SPECIFIED TOLERANCES FOR MILLIMETERS ARE: 0.5 - 8mm ± 0.20mm 8 - 30mm ± 0.40mm 30 - 120mm ± 0.50mm	DRAWN G.R.S.	06/12/06
UNLESS OTHERWISE SPECIFIED TOLERANCES FOR INCHES ARE: .020 - .315 = ± 0.007" .315 - 1.180 = ± 0.015" 1.180 - 4.724 = ± 0.020"	CHECKED	
DO NOT SCALE DRAWING	ISSUED	
	SHEET 1 OF 1	

CAD FILE C:/242/242144RP.DWG	DWG. NO. 242144RP.DWG	REV. NC	SIZE A	SCALE NA
------------------------------	-----------------------	---------	--------	----------

Amphenol Connex	
SMA PLUG TO SMB REVERSE POLARITY JACK ADAPTER	
PART NO. 242144RP	