

# TERMINATION 18GHZ TNC-MALE w CHAIN

STT1843

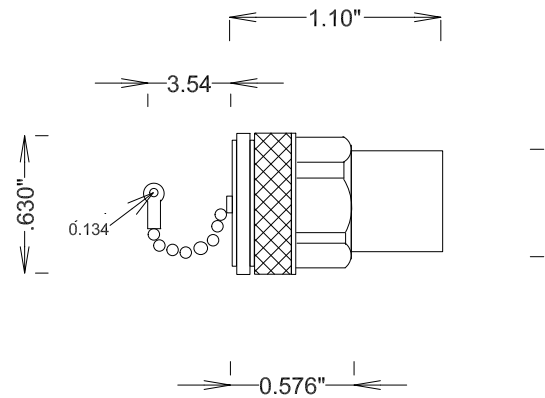
## SPECIFICATIONS

### ELECTRICAL:

FREQUENCY: 0-6 GHZ  
VSWR @ 18 GHZ: 1.3:1 MAX  
POWER (AVG) 2 WATTS @ 25 DEG C  
DERATES LINEARLY TO 1W @ 125 DEG C  
POWER (PEAK) 1KW/50 MICRO-S  
IMPEDANCE: 50 OHMS  
OP. TEMP RANGE: -55C- +125C

### MECHANICAL:

MATERIAL BODY: BRASS w TRI-METAL PLATING  
CENTER CONTACT: GOLD PLATED PER MIL-G-45204  
INTERFACE: MIL-STD-348A  
ROHS COMPLIANT



STT1843

**FAIRVIEW MICROWAVE INC.**

ALLEN, TX 75013 WWW.FAIRVIEWMICROWAVE.COM

TITLE

**TERMINATION 18GHZ TNC-MALE w CHAIN**

SIZE	CAGE CODE	DWG NO	REV
<b>A</b>	<b>3FKR5</b>	<b>STT1843</b>	<b>A</b>
SCALE	SHEET		