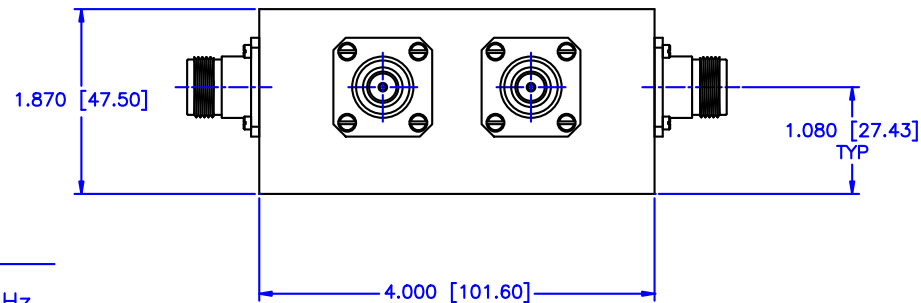
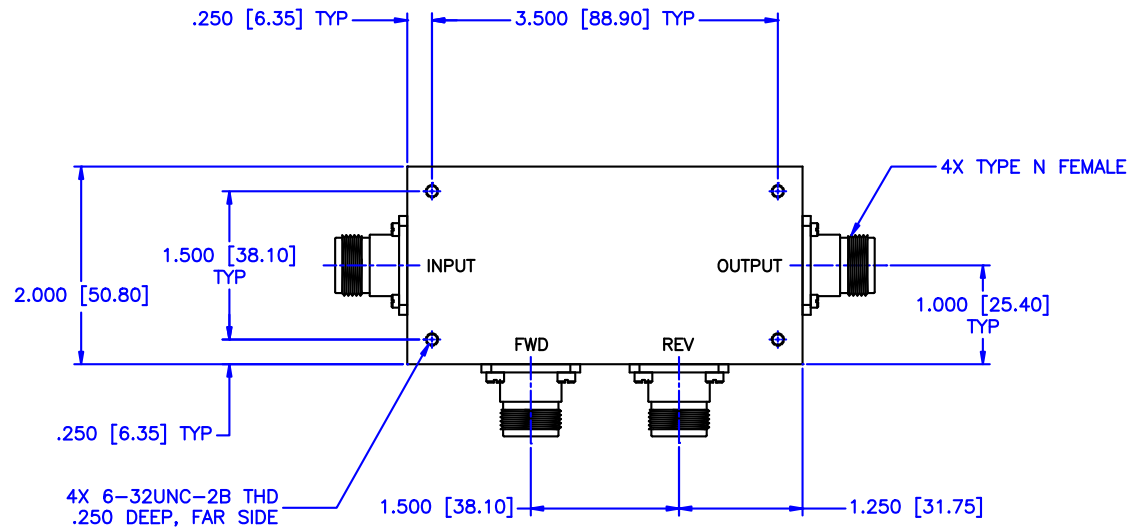


REVISIONS				
ZONE	REV	DESCRIPTION	DATE	APPROVED



**SPECIFICATIONS:**

FREQUENCY RANGE: 0.5–1.7 MHz  
 COUPLING: 30dB  
 FLATNESS:  $\pm 0.50$ dB  
 INSERTION LOSS: 0.3dB Max.  
 DIRECTIVITY: 25dB Min.  
 VSWR PRIME LINE: 1.30:1 Max.  
 POWER: 300 Watts CW

MATERIAL:		<b>MCLI</b> MICROWAVE COMMUNICATIONS LABORATORIES INC. 7255 30TH AVE. N. SAINT PETERSBURG, FL 33710 TEL: (727) 344-6254 FAX: (727) 381-6116 http://WWW.MCLI.COM	SCALE: N/A
DRAWN: Paiboon Luekhamhan			SHEET: N/A
DATE: 12-22-2010		UNLESS OTHERWISE SPECIFIED: TOLERANCES IN (INCHES) OR [mm] (MILLIMETERS) FRACTIONS: $\pm 1/64$ DECIMALS: $\pm 0.01 \pm 0.005$ ANGLE: $\pm 1/2^\circ$	DRAWING TITLE: <b>HIGH POWER DUAL DIRECTIONAL COUPLER</b>
APPROVED: T. Nguyen		DATE: 12-22-2010	PART NO.: <b>HDL-30-30</b>
THIRD ANGLE PROJECTION		CAGE CODE: OD2L5	SIZE: C REV: N/A DWG NO.: 85167
			DO NOT SCALE THE DRAWING