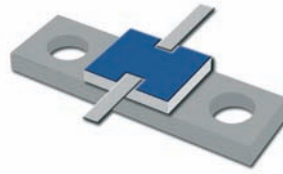
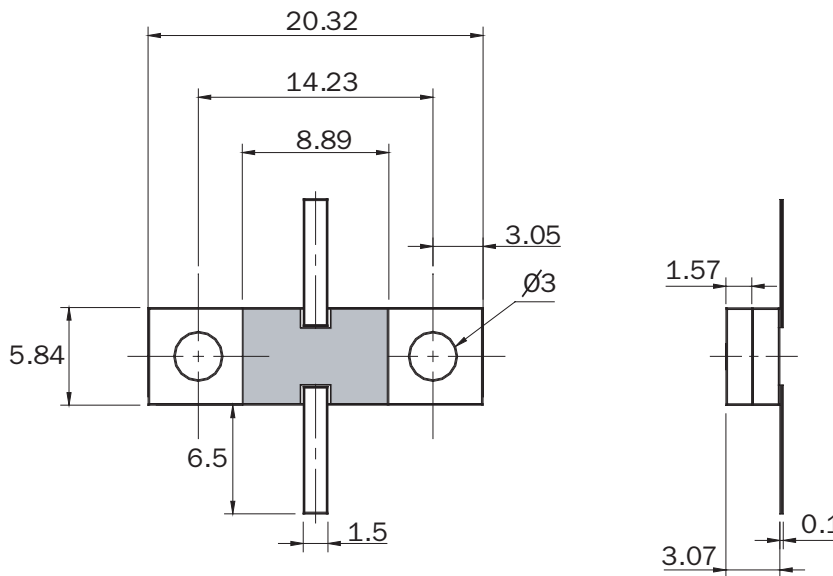
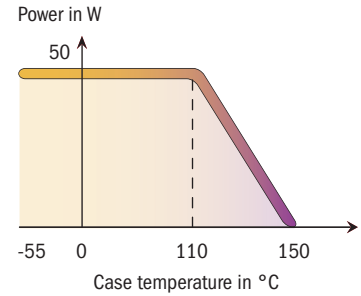


Standards  
NF C 96-315  
MIL-DTL-3933



Substrate	BeO
Resistive film	Thick film
Tab	Ag
Mounting flange/Plating	Cu/Ni
Protection film	Epoxy



Dimensions in mm

P/N	Attenuation* (dB)	Frequency (GHz)	Power (W)	Impedance ( $\Omega \pm 5\%$ )	Max VSWR	Accuracy $\pm \Delta\alpha$ (dB)
16-6734E	1	3	50	50	1.25	0.6
16-6735E	2	3	50	50	1.25	0.6
16-6592E	3	3	50	50	1.25	0.6
16-6593E	6	3	50	50	1.25	0.6
16-6594E	10	3	50	50	1.25	0.6
16-6595E	20	3	50	50	1.25	1
16-6596E	30	3	50	50	1.25	1.2

mm	inch
0.1	0.004
1.5	0.059
1.57	0.062
3	0.118
3.05	0.120
3.07	0.121
5.84	0.230
6.5	0.256
8.89	0.350
14.23	0.560
20.32	0.800

\* Others values on request