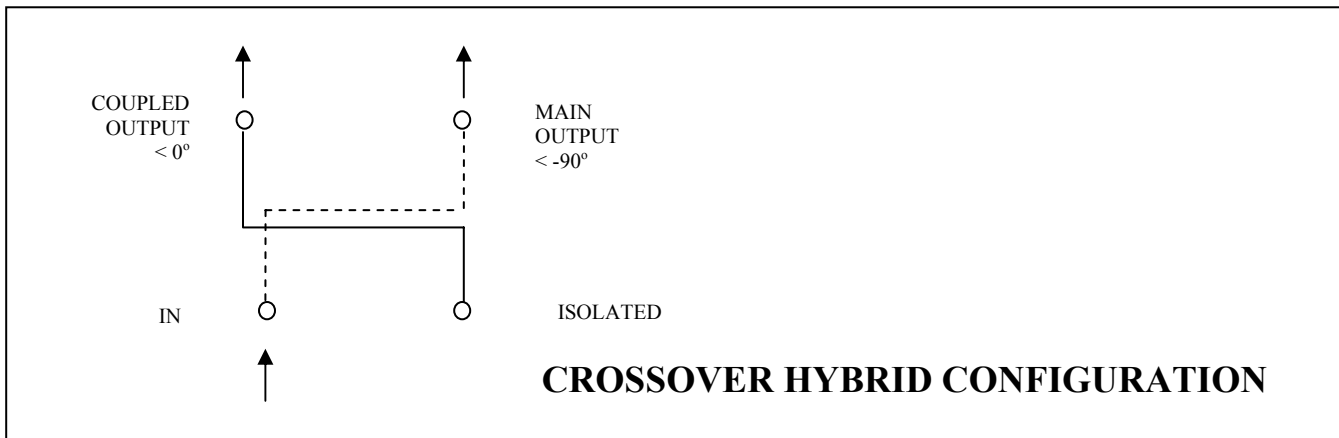




**DC750 SERIES**

**FEATURES**

- Models from 0.5 to 18 GHz
- SMA Connectors
- Meet MIL-E-5400 Class 3 or Equivalent
- Screenable to MIL-P-23971



**SPECIFICATIONS**

Frequency (GHz)	Loss <sup>1</sup>		Isolation min (dB)	Deviation from Phase Quadrature typ	Power Handling <sup>2</sup>		Model Number
	max (dB)	VSWR max			Average (W@1 GHz)	Peak (kW)	
.5-1	.15	1.1	25	$\pm 1.5^\circ$	100	3	DC751
1-2	.2	1.1	25	$\pm 1.5^\circ$	100	3	DC752
1.3-2.6	.2	1.15	25	$\pm 2^\circ$	100	3	DC752E
2-4	.25	1.15	25	$\pm 2^\circ$	100	3	DC753
2.6-5.2	.25	1.25	20	$\pm 2^\circ$	100	3	DC753E
4-8	.3	1.25	20	$\pm 2^\circ$	100	3	DC754
4.8-9.6	.35	1.25	17	$\pm 2^\circ$	100	3	DC754E
7-12.4	.5	1.35	18	$\pm 4^\circ$	50	1.5	DC755
12-18	.7	1.35	17	$\pm 4^\circ$	50	1.5	DC756

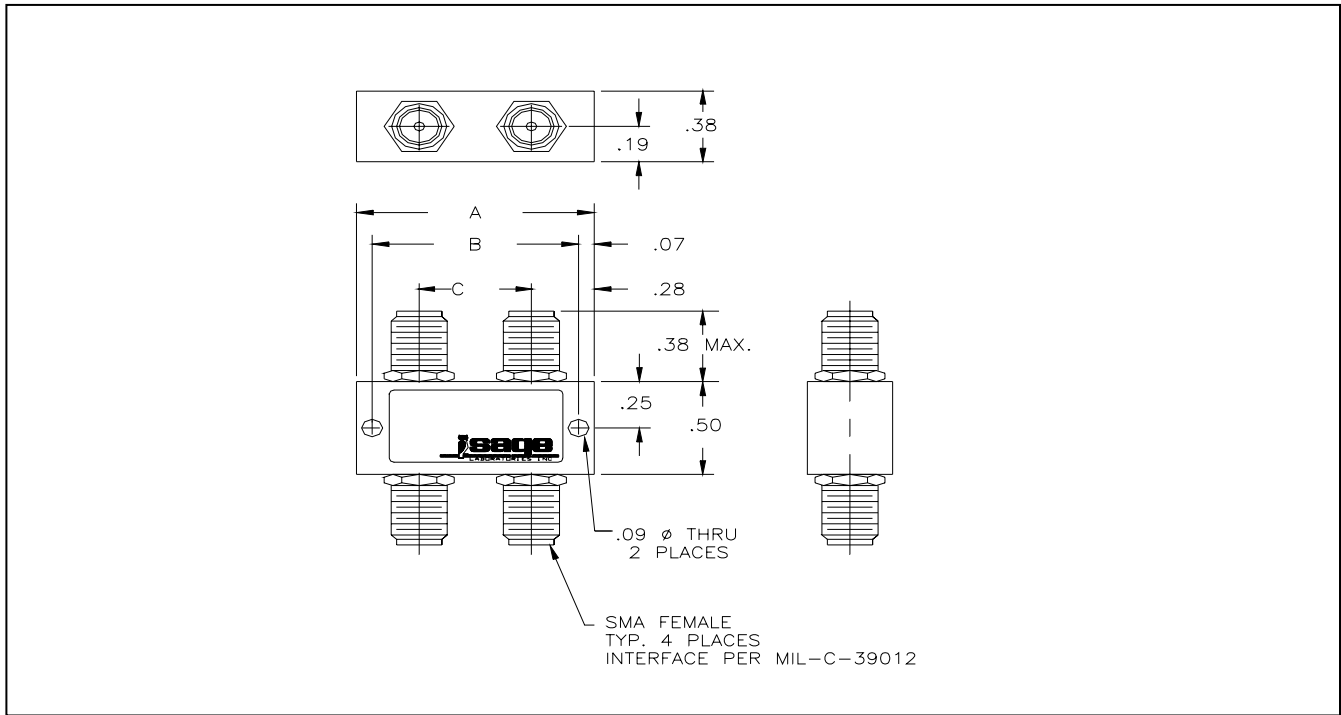
Maximum unbalance is 1 dB and is measured as the difference between the coupled and mainline output ports from the mean coupling at each frequency.

NOTES:

1. Maximum loss is the actual dissipative loss and reflective loss due to VSWR. It does not include coupling loss.



**OUTLINE DRAWING**



Model Numbers	Dimensions (See Drawing)					Weights		
	A"	A (cm)	B"	B (cm)	C"	C (cm)	Ounces	Grams
DC751	3.27	(8,31)	3.13	(7,95)	2.71	(6,88)	1.4	40
DC752	1.84	(4,67)	1.70	(4,32)	1.28	(3,25)	1.0	28
DC752E	1.57	(3,99)	1.43	(3,63)	1.01	(2,57)	1.2	34
DC753	1.19	(3,02)	1.05	(2,67)	.63	(1,60)	.5	14
DC753E	1.06	(2,69)	.92	(2,34)	.50	(1,27)	.5	14
DC754	1.06	(2,69)	.92	(2,34)	.50	(1,27)	.5	14
DC754E	1.06	(2,69)	.92	(2,34)	.50	(1,27)	.5	14
DC755	1.06	(2,69)	.92	(2,34)	.50	(1,27)	.5	14
DC756	1.06	(2,69)	.92	(2,34)	.50	(1,27)	.5	14

MISCELLANEOUS:

1. Spectrum Microwave "Standard Warranty and Order Terms and Conditions" apply to all orders.
2. All specifications subject to change without notice.
3. Check "Ordering and Availability Listing" for delivery and ordering information.
4. Contact our local Manufacturers Representative for pricing.

Specification Revision - 071510

