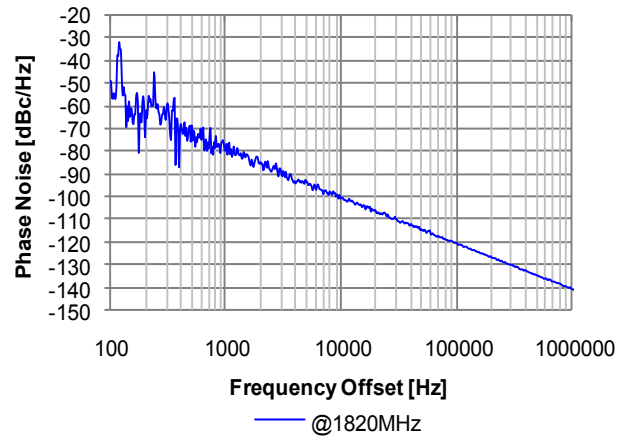


Features

- Linear tuning characteristics
- Low pushing / Low pulling
- Aqueous washable

Applications

- SATCOM
- Receiver
- Test Equipment
- Radar
- Point-to-Point
- Radio
- MMDS
- WiMax

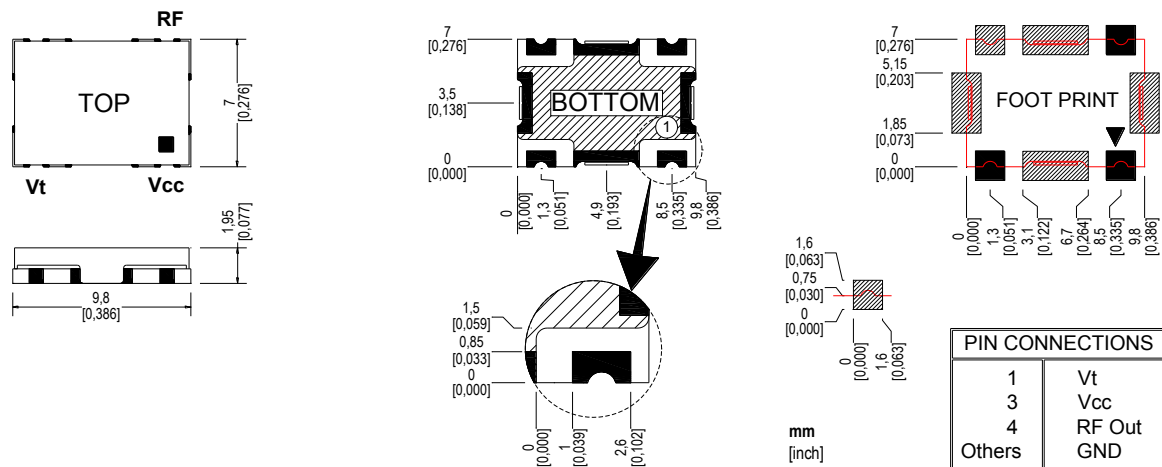


Electrical Characteristics



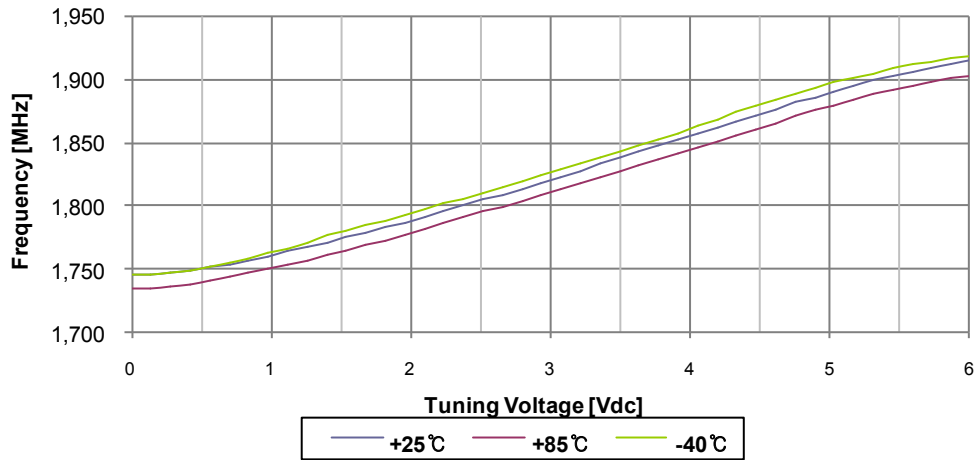
Parameter	Units	Min	Typ	Max
Operating Frequency Range	MHz	1770		1870
Output Power	dBm	+1.0		+6.0
Output Impedance	Ω		50	
Phase Noise	@10kHz offset	dBc/Hz	-101	-96
	@100kHz offset	dBc/Hz	-121	-116
Tuning Voltage (Vt)	Vdc	0.0		5.0
Tuning Voltage Sensitivity (Kv)	MHz/V		11.9 - 38	
2nd Harmonic Suppression	dBc		-23	-15
Power Supply (Vcc)	Voltage	Vdc	5	
	Current	mA	15	30
Pushing Figure	MHz/V		4	
Pulling Figure	MHz		0.9	
Input Capacitance	pF		100	
Operating Temp. Range	$^{\circ}\text{C}$	-40		+85

Dimensions

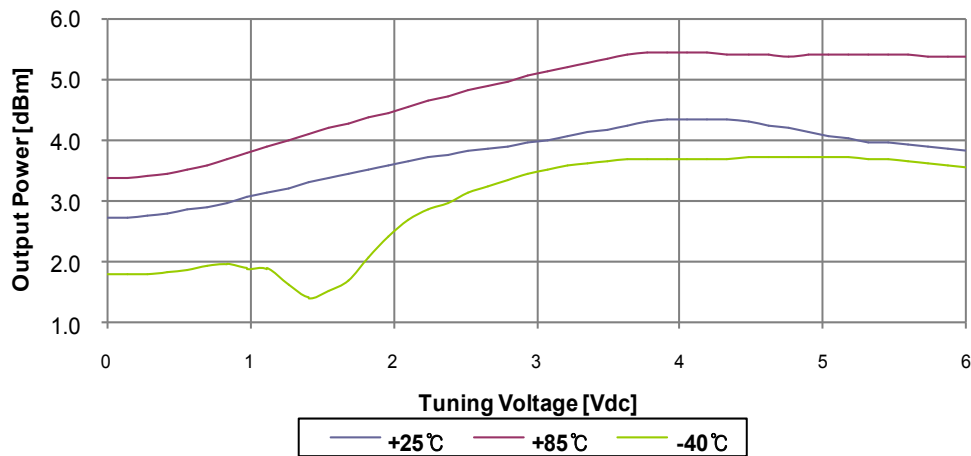


PACKAGE DRAWING : VD4-L

Tuning Curve



Output Power Curve



Performance Data

Vt [Vdc]	Frequency [MHz]			Kv [MHz/V]			Output Power [dBm]			2nd Harmonic [dBc]
	+25°C	+85°C	-40°C	+25°C	+85°C	-40°C	+25°C	+85°C	-40°C	
0.0	1745.1	1734.6	1745.2	-	-	-	2.7	3.4	1.8	-25.7
0.5	1751.2	1740.5	1752.1	12.3	11.9	14.0	2.9	3.5	1.9	-25.6
1.0	1760.4	1749.8	1762.7	18.3	18.6	21.1	3.1	3.8	1.9	-24.7
1.5	1775.1	1764.8	1780.7	29.4	30.0	36.0	3.4	4.2	1.5	-24.5
2.0	1787.2	1777.4	1793.0	24.2	25.2	24.6	3.6	4.5	2.4	-24.4
2.5	1804.7	1795.3	1810.5	34.9	35.7	35.1	3.8	4.8	3.1	-23.5
3.0	1823.4	1813.5	1828.8	37.4	36.5	36.6	4.0	5.1	3.5	-23.4
3.5	1838.0	1827.4	1843.0	29.2	27.8	28.4	4.2	5.4	3.7	-23.5
4.0	1857.5	1846.3	1863.3	39.0	37.8	40.6	4.4	5.5	3.7	-22.8
4.5	1872.1	1861.0	1879.1	29.3	29.4	31.6	4.3	5.4	3.7	-23.1
5.0	1890.9	1880.0	1897.7	37.6	38.0	37.1	4.1	5.4	3.7	-23.0
5.5	1903.1	1891.8	1908.8	24.3	23.7	22.3	4.0	5.4	3.7	-23.0
6.0	1915.3	1903.7	1919.4	24.3	23.7	21.2	3.8	5.4	3.5	-23.0