



Hermetically Sealed N Female to N Female Bulkhead Adapter For 1 inch Max. Panel

TECHNICAL DATA SHEET

PE9383

Hermetically Sealed N Female to N Female Bulkhead Adapter For 1 inch Max. Panel

Configuration

Connector 1	N Female
Connector Specification 1	MIL-STD-348
Connector 2	N Female
Connector Specification 2	MIL-STD-348
Adapter Design	Standard
Body Style	Straight
Mount Method	Bulkhead
Isolated Ground / Hermetic	Hermetically Sealed

Electrical Specifications

Impedance, Ohms	50
-----------------	----

Mechanical Specifications

Temperature

Operating Range, deg C	-65 to +165
------------------------	-------------

Size

Length, in [mm]	2.375 [60.33]
Width/Dia., in [mm]	0.875 [22.23]
Dielectric Type	PTFE

Connector 1

Type	N Female
Inner Conductor Material and Plating	Beryllium Copper, Silver
Inner Conductor Plating Specification	QQ-S-365
Body Material and Plating	Brass, Nickel

Connector 2

Type	N Female
Inner Conductor Material and Plating	Beryllium Copper, Silver
Inner Conductor Plating Specification	QQ-S-365
Body Material and Plating	Brass, Nickel

Compliance Certifications (visit www.Pasternack.com for current document)

RoHS Compliant	Yes
----------------	-----

Plotted and Other Data

Notes:	Values at 25 °C, sea level
--------	----------------------------

URL: <http://www.pasternack.com/n-female-n-female-straight-adapter-pe9383-p.aspx>

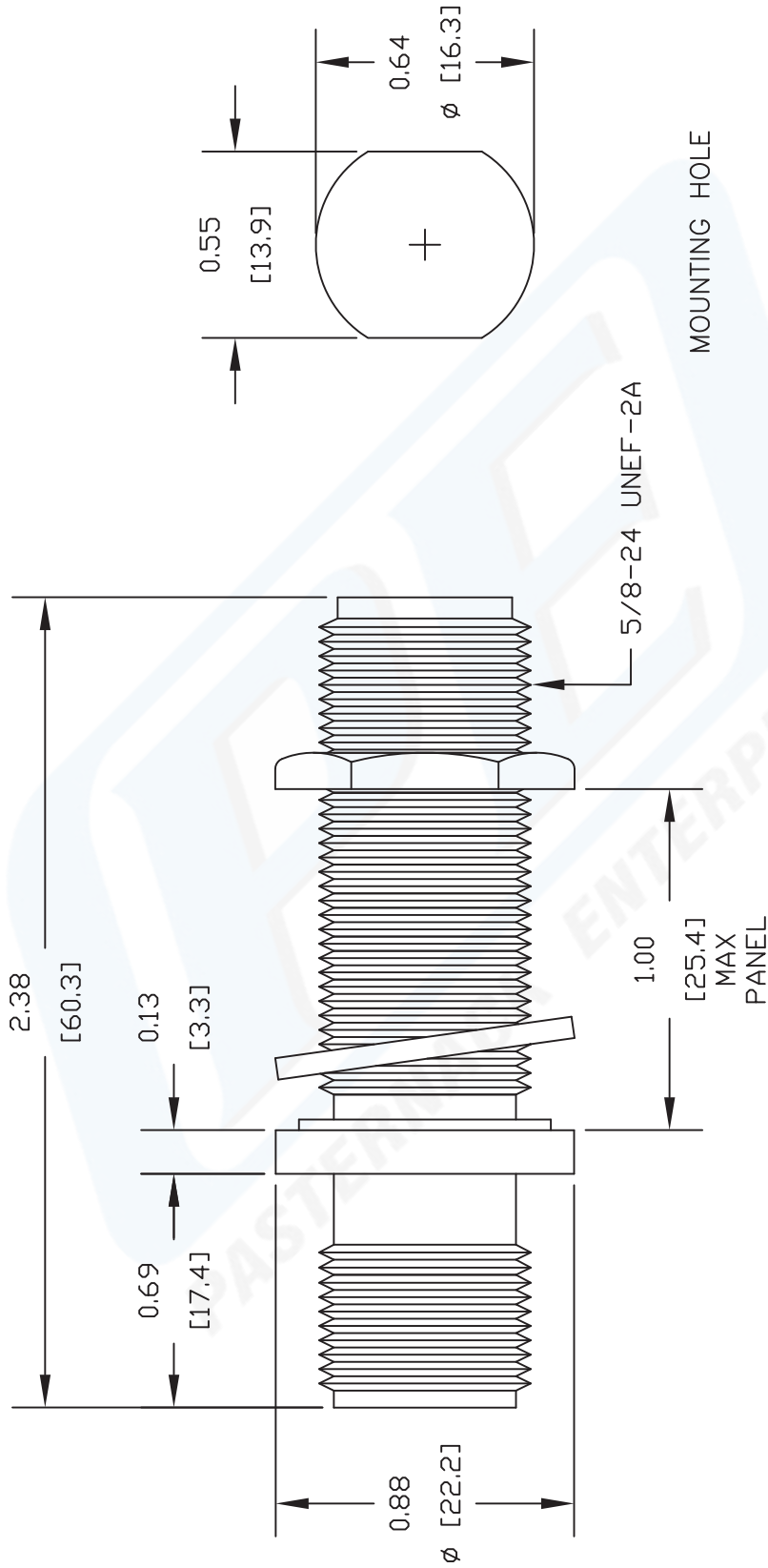
Hermetically Sealed N Female to N Female Bulkhead Adapter For 1 inch Max. Panel from Pasternack Enterprises has same day shipment for domestic and International orders. Our RF, microwave and fiber optic products maintain a 99% availability and are part of the broadest selection in the industry.

The information contained in this document is accurate to the best of our knowledge and representative of the part described herein. It may be necessary to make modifications to the part and/or the documentation of the part, in order to implement improvements. Pasternack reserves the right to make such changes as required. Unless otherwise stated, all specifications are nominal.



PE9383 CAD Drawing

Hermetically Sealed N Female to N Female Bulkhead Adapter For 1 inch Max. Panel



DWG TITLE

PE9383

NOTES:
 1. UNLESS OTHERWISE SPECIFIED ALL DIMENSIONS ARE NOMINAL.
 2. ALL SPECIFICATIONS ARE SUBJECT TO CHANGE WITHOUT NOTICE AT ANY TIME.
 3. DIMENSIONS ARE IN INCHES [mm].

REV. -

FSCM NO. 53919

CAD FILE 091902

SCALE N/A

SIZE A

127

PE PASTERNAK®
 Pasternack Enterprises, Inc.

P.O. Box 16759 | Irvine | CA | 92623

Phone: (949) 261-1920 | Fax: (949) 261-7451

Website: www.pasternack.com | E-Mail: sales@pasternack.com