

## Dual Polarised Panel Antenna

### Product Features

**Reliable and Cost effective**  
**Light weight and durable construction**  
**Quick and easy installation**  
**Low VSWR**

### Technical Specifications

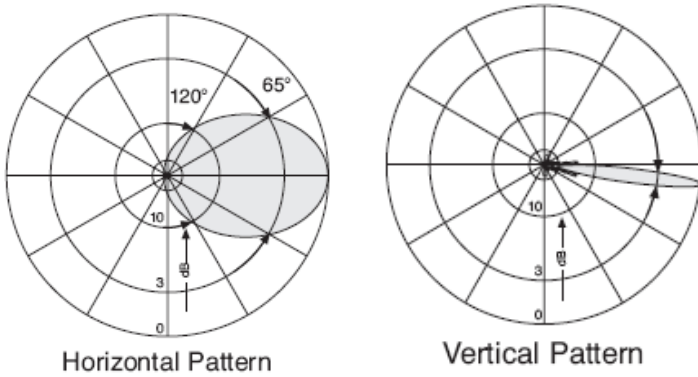
Model No	TD-80CW-9-65-VET
Frequency Range:	806 - 960 & 1710 - 2180 MHz
Gain	17 / 18 dBi
H Plane Beam width	65° +/- 5°
E Plane Beam width	7° / 6° +/- 0.5°
Electrical Tilt	0 - 8°
Polarisation	Dual Linear +/-45° slant
VSWR	<1.5:1
Intermodulation IM3 (2x43 dBm Carrier)	-150 dBc
Upper side lobe suppression	>15 dB
Cross Polar Discrimination	25 dB
Front to Back ratio Co-polar	30 dB
Isolation between ports	30 dB
Impedance	50 Ohms
Maximum Power per Input	200 W
Termination	7/16 DIN Female
Lightning Protection	DC Grounded
Dimension (LxWxD)	2800mm x 302mm x 150 mm
Weight	20 Kgs
Material	UV Stabilized ABS
Radiating Element Material	PCB
Connector Position	Bottom
No of Connector Ports	4
Temperature Range	-20°C to +70°C
Rated wind velocity	200 KM / Hour

### Product Photo



## Dual Polarised Panel Antenna

### Antenna Patterns (870 – 960 MHz)



### Antenna Patterns (1710 – 2180 MHz)

