

## Surface Mount Isolators

Part Number: KTSI-009A

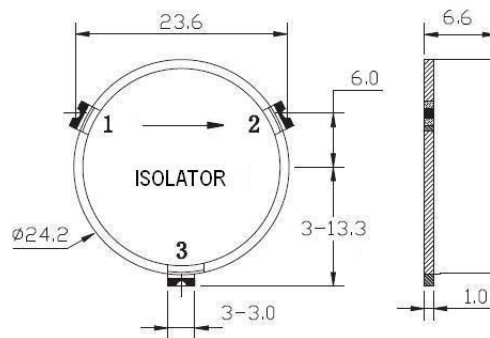
### Main Features:

- Frequency Range: 820MHz - 960MHz
- High Power Handling, Low Insertion Loss, Small Size
- PCB Soldering Re-flow
- Wide Operating Temperature: -10°C ~+70°C
- RFID and PCS, DCS, CDMA, UMTS Band Design

### Electrical Specifications at Room Temperature:

| Part Number | Freq. Range (GHz) | Bandwidth Max. (MHz) | Insertion Loss Max. (dB) | Isolation Min. (dB) | VSWR Max. | Forward Power (W) | Round Size Dia.(mm) |
|-------------|-------------------|----------------------|--------------------------|---------------------|-----------|-------------------|---------------------|
| KTSI-009A   | 0.82 - 0.96       | 100                  | 0.30                     | 23                  | 1.20      | 60                | Φ24.2               |

### Mechanical Dimensions (mm):



### HOW TO ORDER

