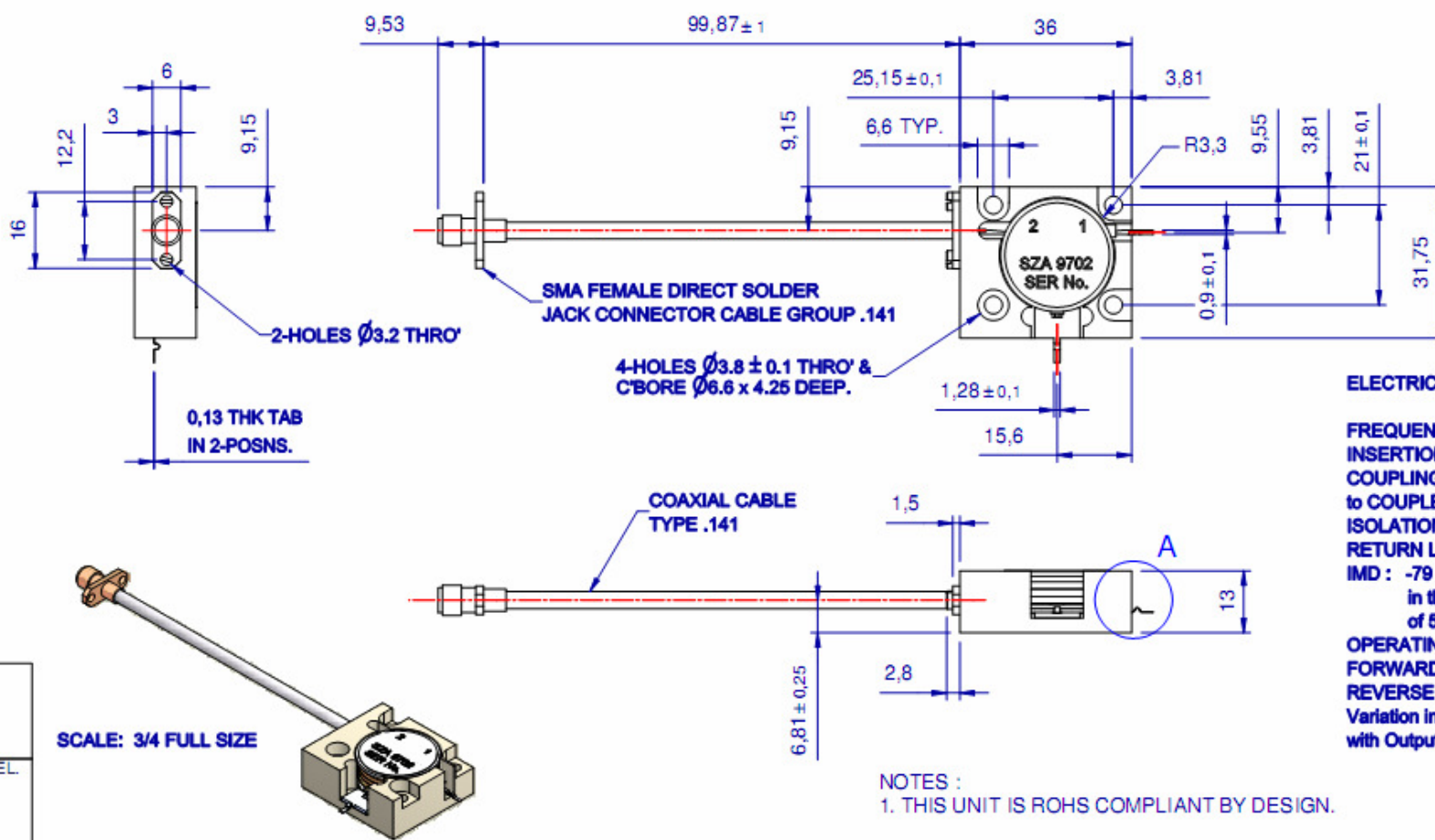


1	2	3	4	5	6	7	8
SERVICE DRAWING NUMBER		3rd ANGLE PROJECTION		THIS DRAWING IS MESL MICROWAVE PROPERTY IT MAY NOT BE COPIED OR EXHIBITED WITHOUT WRITTEN PERMISSION			MESL MICROWAVE
SECURITY CLASSIFICATION		DRAWING TO BE READ IN CONJUNCTION WITH BS 8888					



ELECTRICAL SPECIFICATIONS:

FREQUENCY : 2110 - 2170 MHz.

INSERTION LOSS : 0.35 dB. Max.

COUPLING VALUE OUTPUT : 30 +/- 1dB.
to COUPLED PORT.

ISOLATION INPUT to OUTPUT : 23 dB Min.

RETURN LOSS. ALL PORTS : 21 dB Min.

IMD : -79 dBc Max. for 2 CW tones anywhere
in the band 35 Watts each carrier spacing
of 5 and 20 MHz.

OPERATING TEMP. RANGE : -40 to 100 °C.

FORWARD POWER : 100 Watts.

REVERSE POWER : 100 Watts.

Variation in Coupled Port Power : +/- 0.75 dB.
with Output Port Phase Angle.

NOTES :
1. THIS UNIT IS ROHS COMPLIANT BY DESIGN.

Q.A.
DATE
PROD.REL.
DATE
ENG.APP.
JG.
DATE
MECH. ENG.
DATE
DRAWN
AB.
DATE

ORIGINAL SCALE	1/1	MATERIAL	SPECIFICATION
DO NOT SCALE PRINT			
DIMENSION IN		FINISH	SPECIFICATION
mm		SILVER PLATED	MIL-QQ-S-365.
CERTIFIED AT ISSUE			

REF	DESCRIPTION	No OFF	CHAR.	POS.TOL.	ISSUE	DATE	MOD NUMBER
2							9702-ECN-10661
1							DRN 5158
GREEN (Fully Released)							A 3
GENERAL TOLERANCE UNLESS OTHERWISE STATED				CONTRACTOR		SECURITY CLASSIFICATION	
ISO 2768-fH Symmetry ± 0,05				MESL MICROWAVE			
FINISH TO BE 1.6				RESPONSIBLE AUTHORITY		CONTRACTORS DRAWING NUMBER	
UNLESS OTHERWISE STATED				J.Gillies.		9702-000-OL	
				TITLE		SERVICE DRAWING NUMBER	
				OUTLINE DRG FOR 2.1 GHz ISO-ATTENUATOR TYPE SZA 9702		SHEET No 1 OFF 1	