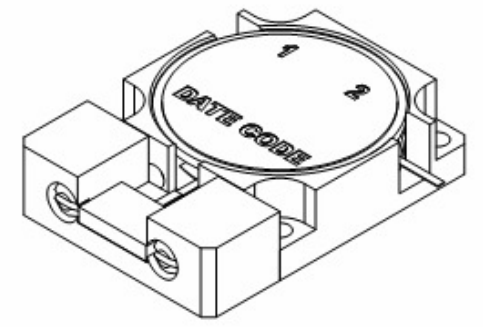
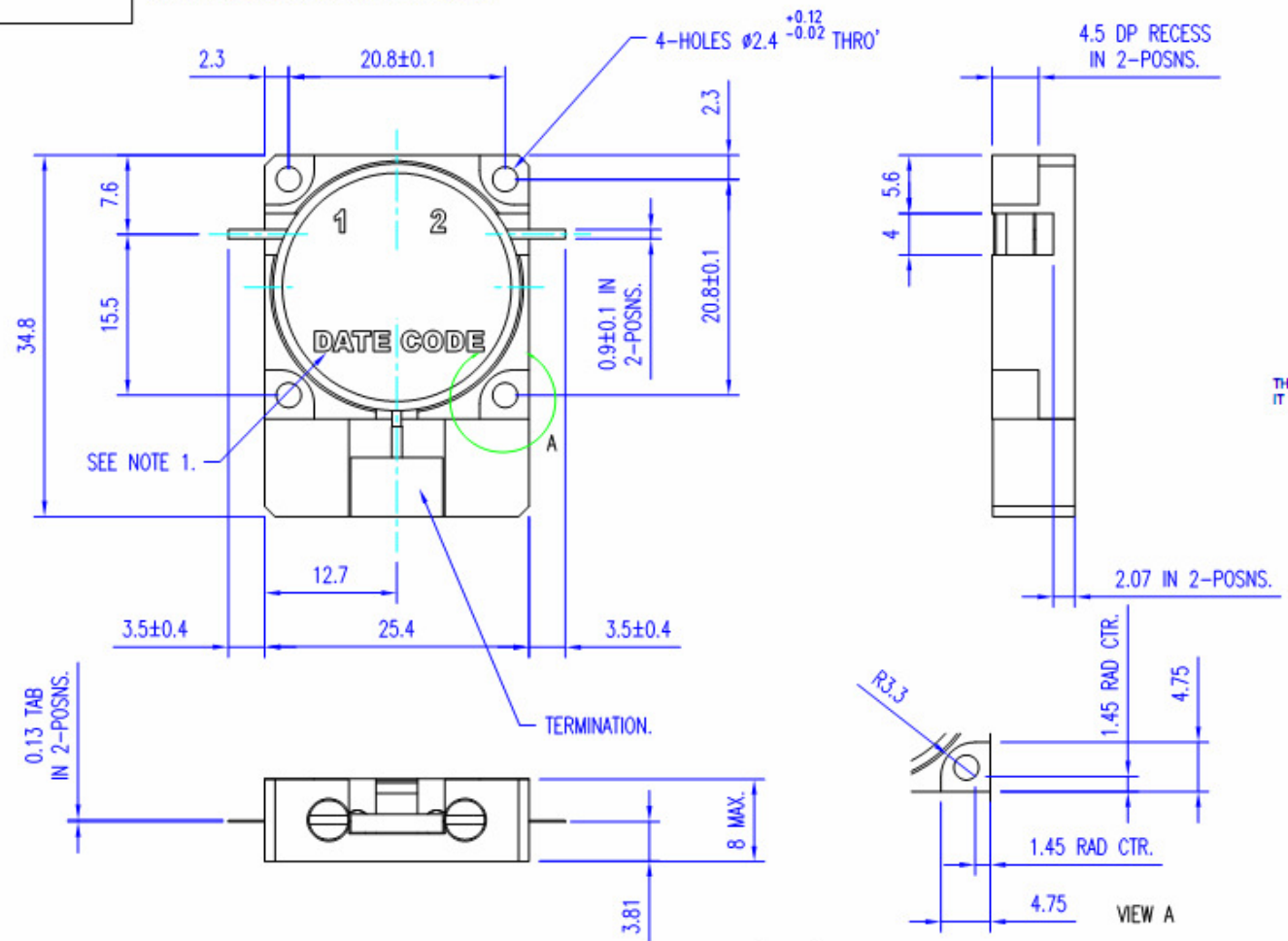


USED ON: \_\_\_\_\_  
 Q.A. \_\_\_\_\_  
 DATE \_\_\_\_\_  
 PROD.REL. \_\_\_\_\_  
 DATE \_\_\_\_\_  
 ENG.APP. \_\_\_\_\_  
 DATE \_\_\_\_\_  
 CHECKED \_\_\_\_\_  
 DATE \_\_\_\_\_  
 DRAWN AB. \_\_\_\_\_  
 DATE \_\_\_\_\_



THIS DRAWING IS MESL MICROWAVE PROPERTY  
 IT MAY NOT BE COPIED OR EXHIBITED WITHOUT WRITTEN PERMISSION

5	GEN-ECN-10137
4	GEN-ECN-10030
3	GEN-ECN-9916
2	GEN-ECN-9858
1	DRN 4901

REF	FEATURE SIZE	No.OFF	CHAR	POS TOL	ISSUE	DATE	MOD.No.
-----	--------------	--------	------	---------	-------	------	---------

GREEN (Fully Released)

ORIGINAL SCALE	2/1	MATERIAL	SPECIFICATION	GENERAL TOLERANCE UNLESS OTHERWISE STATED	$\pm 0.25$	CONTRACTOR	MESL MICROWAVE	SECURITY CLASSIFICATION	
CHECKED DIMENSIONS IN	m.m.	FINISH	BRIGHT NICKEL PLATED.	FINISH TO BE UNLESS OTHERWISE STATED	1.6	RESPONSIBLE AUTHORITY		CONTRACTORS DRAWING NUMBER	9373-000-0L
DRAWN AT ISSUE	CERTIFIED AT ISSUE					TITLE	OUTLINE DRG. PACKAGE DROP-IN ISOLATOR	SERVICE DRAWING NUMBER	

A  
B  
C  
D  
E

SHEET No. 1 OF 1 3