



EUROPEAN ANTENNAS

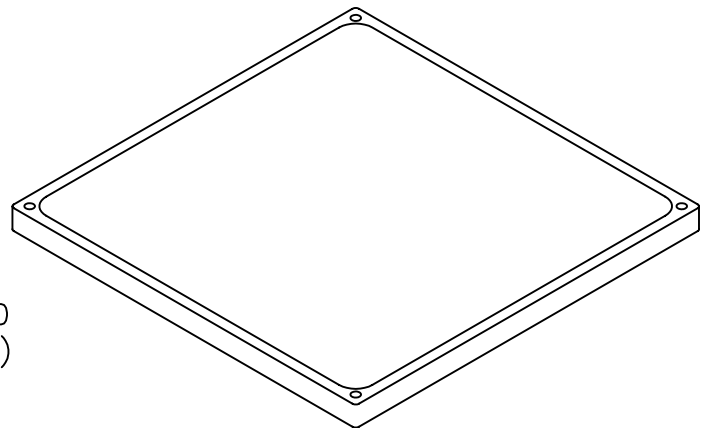
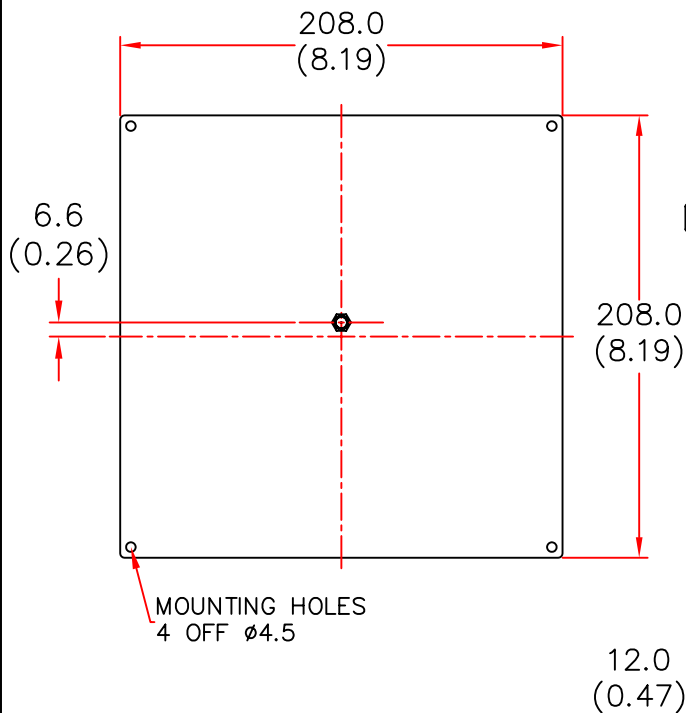


FLAT PANEL ANTENNA

MODEL: FPA23-103V-501/416

FREQUENCY: 10.1-10.8 GHz	GAIN: 23dBi
POLARISATION: Linear (Vertical)	BEAMWIDTH: 9° x 11°
CROSS POLAR: 20dB<90°/30dB>90°	VSWR: 1.5:1
POWER RATING: 10W	FRONT TO BACK: 30dB Min
TEMPERATURE: -20°C to +50°C	MASS: 650g/1.43lbs
RADOME: Glass Fibre Gloss White	WIND LOADING: 7Kg/15.44lbs @ 100mph

SIDE
VIEW



ISOMETRIC VIEW

END
VIEW

DIMENSIONS: mm (inches)

GA 0416-1 Issued 080299

EUROPEAN ANTENNAS LTD.

TEL: +44 (0)1638 731888

LAMBDA HOUSE, CHEVELEY,
NEWMARKET, SUFFOLK, CB8 9RG,
UNITED KINGDOM.

FAX: +44 (0)1638 731999

European Antennas Ltd. has a policy of continuous development and therefore stress that the data contained on this sheet should be used for guidance only.