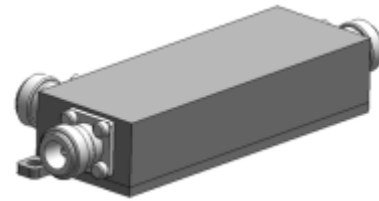


Directional Couplers, Low-Loss Stripline Coupler  
700-2700MHZ, 5-20dB N Connectors

- Multiple-Band Frequency Range, Cellular, PCS, UMTS
- 200Watt Average Main Line Power
- 20dB Directivity, Min
- Minimal RF Insertion Loss
- High Reliability
- Low Passive Intermodulation (PIM)
- Environment IP65
- N Female Connectors



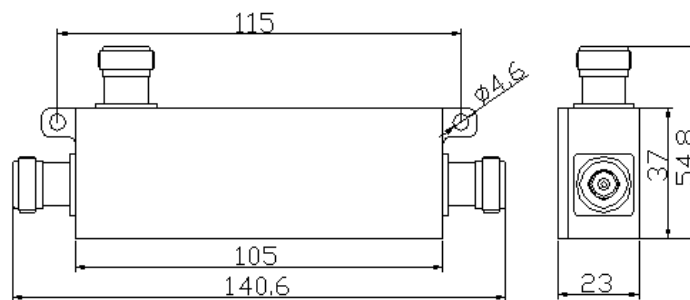
The BXDC series of Directional Couplers is a stripline design for indoor/outdoor applications covering all the wireless services from 700 to 2700MHz. Units couple off a defined fraction of signal with minimal reflections or loss. All of them are conformance to IP65 specification. Its mechanical shape allows to be fixed on the wall or the pole easily.

The ultra wide frequency range allows use with multi-band antennas and leaky cable systems and wireless base stations.

VSWR:	1.25:1 Max., All Ports
Directivity:	20dB Min.
Power Rating:	200W, avg.; 1.5KW peak
PIM, Passive IM:	-140dBc, 2x43dBm
Impedance:	50 ohm, nominal
Temperature Range, C	-25° to +75°
Environment:	IP65, RoHS compliant
Housing:	Passivated Aluminum or powder paint
Connectors:	N (f), tri-plate
DC capability: DC transmission only between input and output	

PN.	Frequency Band, MHz	Coupling, dB	Mainline Loss dB Max.	Insertion Loss dB Max.	Reflected Power W Max.	Weight g
BXDC-5-NFH	700~2700	-5±0.8	2.3	0.25	30	300
BXDC-6-NFH	700~2700	-6±0.8	1.7	0.25	40	300
BXDC-7-NFH	700~2700	-7±0.8	1.5	0.25	50	300
BXDC-8-NFH	700~2700	-8±0.8	1.2	0.25	70	300
BXDC-10-NFH	700~2700	-10±1.0	0.8	0.20	100	300
BXDC-13-NFH	700~2700	-13±1.0	0.5	0.20	200	300
BXDC-15-NFH	700~2700	-15±1.0	0.4	0.20	200	300
BXDC-20-NFH	700~2700	-20±1.0	0.22	0.20	200	300

Dimensions, mm



BXDC- (5-20)-NFH

All Specifications are subject to change without prior notice