



# EUROPEAN ANTENNAS



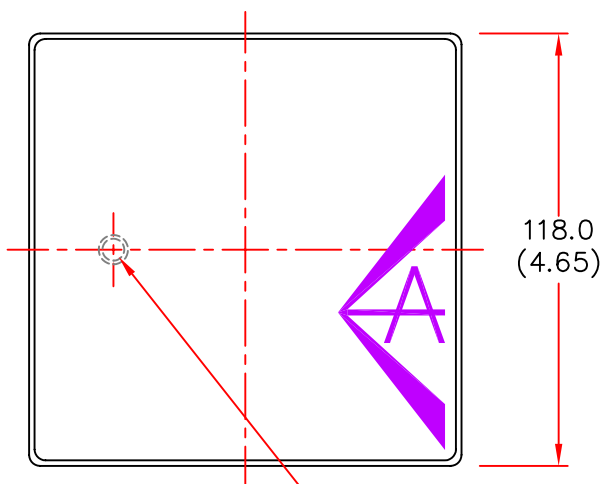
## FLAT PANEL ANTENNA

MODEL: FPA13-36R/273

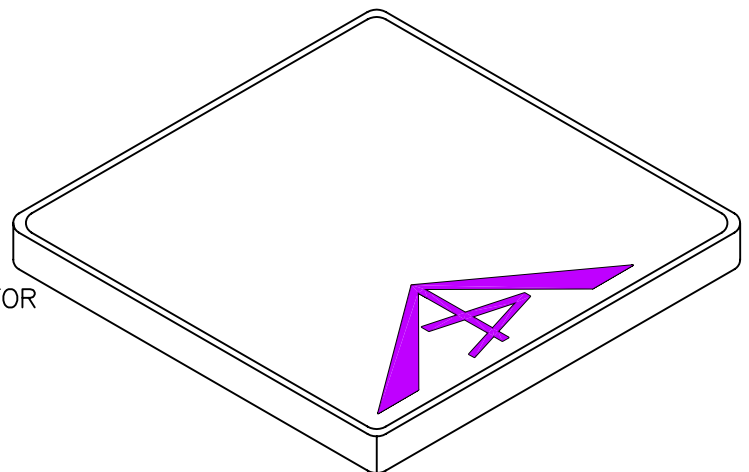
FREQUENCY: 3.40 – 3.65 GHz	GAIN: 13 dBiC
POLARISATION: R.H. Circular	BEAMWIDTH: 40° x 40°
AXIAL RATIO: 3 dB typical	VSWR: 1.5 : 1
POWER RATING: 10 W	FRONT TO BACK: 30 dB
TEMPERATURE: -20°C to +50°C	MASS: < 1 kg
RADOME: Gloss White Paint	WIND LOADING: 2.3Kg/5.0lbs/@100mph

### PLAN VIEW

MOUNTING VIA 4 x M4 X 7.0 DEEP HOLES ON REAR (CENTRES 110.0 x 110.0)

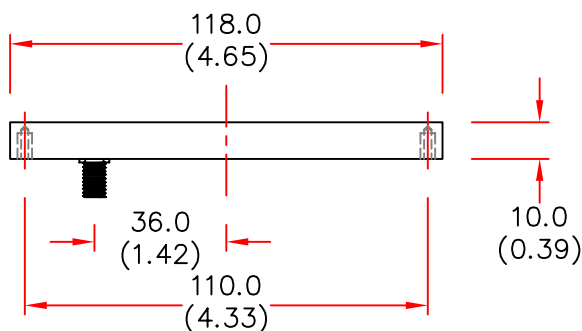


### ISOMETRIC VIEW



### SIDE VIEW

SMA(F) CONNECTOR ON REAR



DIMENSIONS: mm (inches)

GA 273-1 Issued 251096

EUROPEAN ANTENNAS LTD.

TEL: +44 (0)1638 731888

LAMBDA HOUSE, CHEVELEY,  
NEWMARKET, SUFFOLK, CB8 9RG,  
UNITED KINGDOM.

FAX: +44 (0)1638 731999

European Antennas Ltd. has a policy of continuous development and therefore stress that the data contained on this sheet should be used for guidance only.