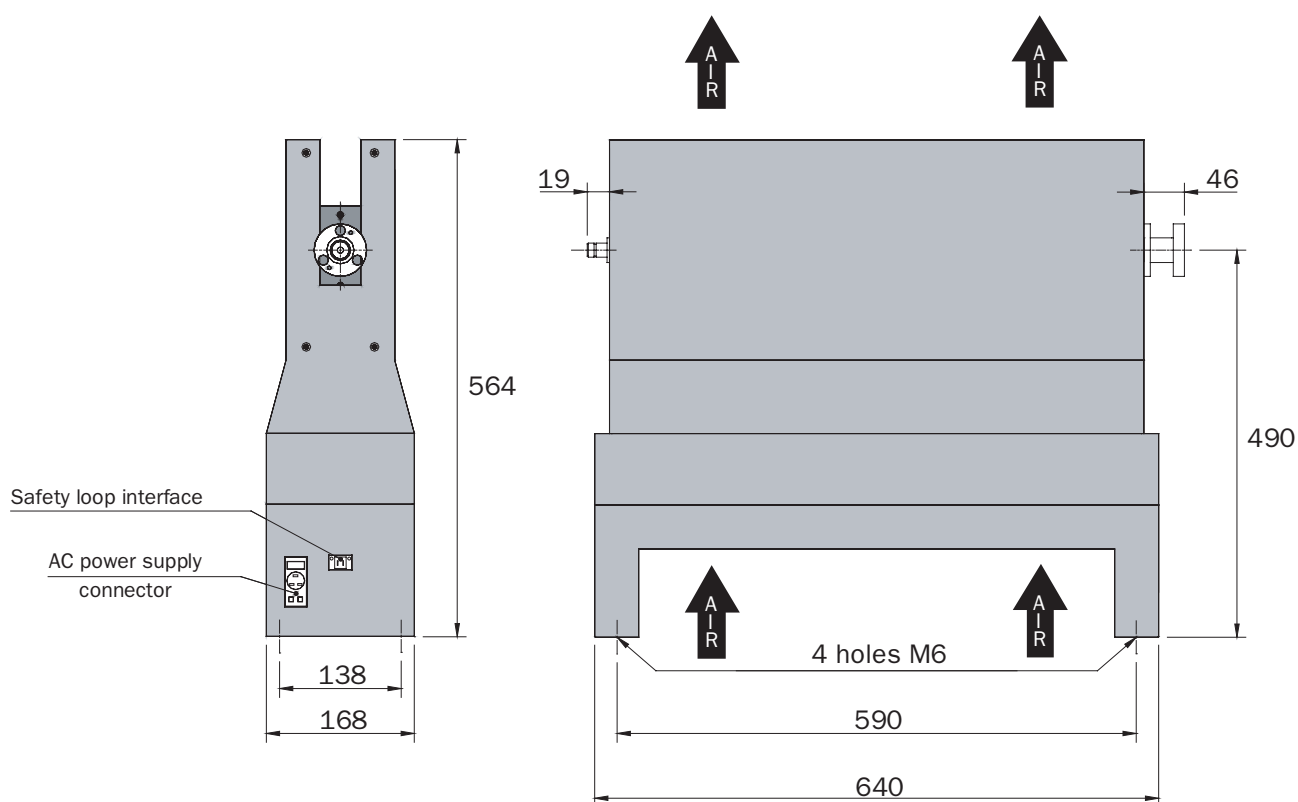
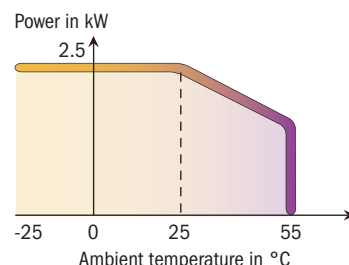


Standards
NF C 96-315
MIL-DTL-3933



Impedance 50 Ω ± 5%
 Frequency DC - 1 GHz
 Max VSWR ≤ 1.10 at 1 GHz
 Temperature range -25 to +55°C
 Average power @ 25°C 2.5 kW
 Cooling Forced air
 Weight 30 kg



Dimensions in mm

Attenuation (dB)	P/N	Connector	AC power supply	Accuracy ±Δα (dB)
30	16-6807	EIA 7/8" - Nf	220 V - 50/60 Hz	1.5*
40	16-6597	EIA 7/8" - Nf	220 V - 50/60 Hz	1.5*
40	16-6838	7-16 f/f	220 V - 50/60 Hz	1.5*

* 470 to 860 MHz Accuracy : ± 0.2 dB
 Variation : ± 0.2 dB

Others attenuations on request