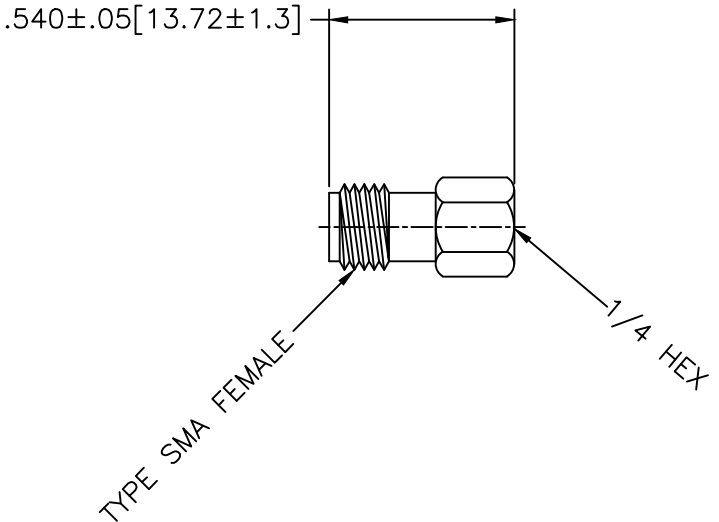


REVISIONS				
ZONE	REV	DESCRIPTION	Date	APPROVED



FREQUENCY RANGE
DC-12.4 Ghz

MATERIAL:	
DRAWN: Paiboon Luekhamhan	DATE: 01-27-2005
APPROVED: T. Nguyen	DATE: 01-27-2005

	MICROWAVE COMMUNICATIONS LABORATORIES INC. 7255 30TH AVE. N. SAINT PETERSBURG, FL 33710 TEL: (727) 344-6254 FAX: (727) 381-6116 http://WWW.MCLI.COM		SCALE:	N/A
	UNLESS OTHERWISE SPECIFIED: TOLERANCES IN (INCHES) OR [mm] (MILLIMETERS) FRACTIONS: ± 1/64 DECIMALS: ±.01 ±.005 ANGLE: ±1/2°		SHEET:	N/A
DRAWING TITLE: TYPE SMA TERMINATION		PART NO.:		
PROPRIETARY NOTICE: THE INFORMATION IN THIS DRAWING IS PROPRIETARY AND SHALL NOT BE USED OR DISCLOSED WITHOUT WRITTEN PERMISSION FROM MICROWAVE COMMUNICATIONS LABORATORIES INC. (MCLI)		TSF-1		
THIRD ANGLE PROJECTION 		CAGE CODE:	SIZE:	REV:
		OD2L5	N/A	N/A
DWG NO.		DO NOT SCALE THE DRAWING		
82390				