



Model: SR-P010-3S

Description:..... SP3T, Absorptive, PIN-Switch

Operating Frequency:..... 2 – 20 GHz

Insertion Loss:

2 – 10 GHz	10 – 18 GHz	18 – 20 GHz
2.3 dB Max	2.8 dB Max	3.1 dB Max

Isolation:

2 – 10 GHz	10 –20 GHz
70 dB Min	60 dB Min

VSWR (RF Path “ON” or “OFF”): 1.9:1 Max
 Rise/Fall time (10% to 90% RF, 90% to 10% RF): 25 ns Max
 On/Off time (50% TTL to 90% RF, 50%TTL to 10% RF): 50 ns Max
 Operating Power:..... CW&AVG..... +24dBm (+27dbm @ COM Port)
 Peak: 8W @ 1µS PW Max
 Control Input Characteristics: TTL / Unit-Load / Floating-High
 Control Logic:..... 3-Controls, Logic “0” = RF Path “ON”
 Power Supplies:..... +5(±0.25)V @ 110mA Max
 -12(±0.5)V @ 60mA Max
 Connectors (RF): SMA (f), Removable
 Connectors (Supplies/Controls) Solder Pins
 Impedance:..... 50 Ohms Nominal
 Quality:..... Best-Commercial-Grade

Environmental Ratings:

Temperature:..... {Operating: -55°C to +95°C} & {Storage: -60°C to +110°C}
 Humidity: MIL-STD-202F, Method 103B, Cond. B (96 hours at 95% R.H.)
 Shock: MIL-STD-202F, Method 213B, Cond. B (75G, 6mSec)
 Vibration: MIL-STD-202F, Method 204D, Cond. B (.06” double amplitude, or 15G)
 Altitude: MIL-STD-202F, Method 105C, Cond. B (50,000 Feet)
 Temp. Shock: MIL-STD-202F, Method 107D, Cond. A (5 cycles)

Available Options:

(Units with listed options here may be subject to some specification tradeoffs from the standard, consult factory)

■ **Supply Voltages**

- A1 [+5(±0.25)V / -5(±0.25)V]
- A2 [+5(±0.25)V / -15(±0.5)V]
- A3 [+12(±0.5)V / -12(±0.5)V]
- A4 [+15(±0.5)V / -15(±0.5)V]

■ **RF Connectors**

- B1 [J1 – J3 Ports with SMA(M)]
- B2 [All SMA (M)]
- B3 [COM Port with SMA(M)]

■ **Control Function**

- F1 [Inverse Logic, (“1” = Path “ON”)]
- F2 [Binary Coded Logic, (2 Controls)]

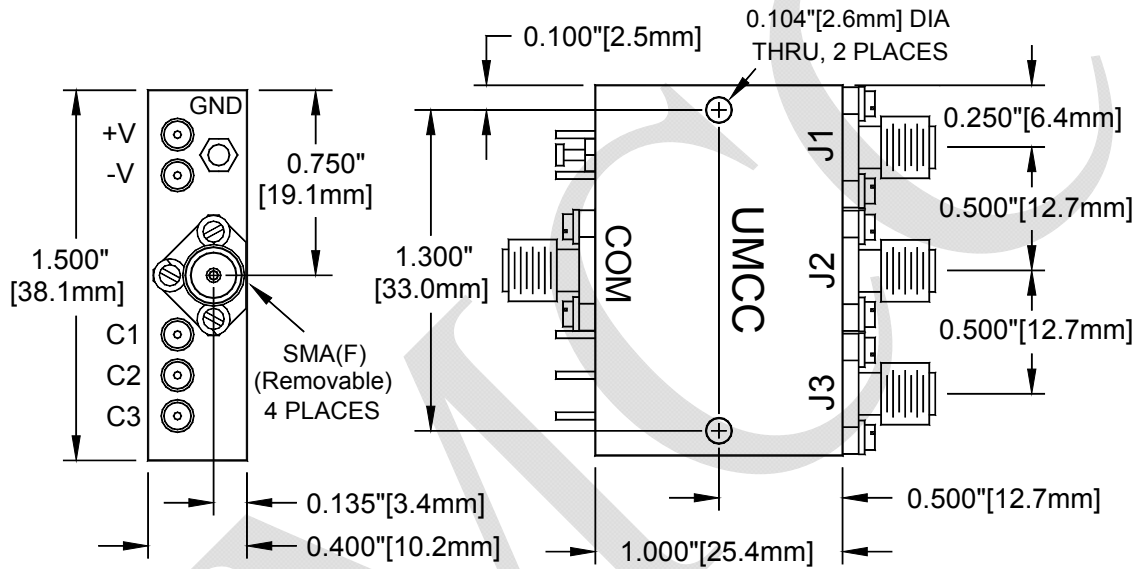
■ **Video Suppression Filter**

- G1 [VF @ COM Port <> 0.25 dB additional Loss]
- G2 [VF @ J1 – J3 Ports <> 0.25 dB additional Loss]
- G3 [VF @ All Ports <> 0.5 dB additional Loss]



Model: SR-P010-3S

Outline



Weight	Tolerances
1.0 oz [28.3g]	±0.015" [±0.38mm]