



Model: SR-420H-3S

Description:..... SP3T, Reflective, PIN-Switch, High Power
 Operating Frequency:..... 200 – 4200 MHz
 Insertion Loss: 1.0 dB Max
 Isolation:

0.2 – 2 GHz	2 – 4.2 GHz
50 dB Min	40 dB Min

VSWR (“ON” paths):..... 1.45:1 Max
 Rise/Fall time (10% to 90% RF, 90% to 10% RF): ... 250 ns Max
 On/Off time (50% TTL to 90% RF, 50%TTL to 10% RF):..... 350 ns Max
 Operating Power:..... CW&AVG..... 8W (+39dBm) Max
 Peak: 50W @ 5µS PW Max
 Control Input Characteristics: TTL /Unit-Load / Floating-High
 Control Logic:..... 3-Controls, Logic “0” = RF Path “ON”
 Power Supplies:..... +5(±0.25)V @ 160mA Max
 -12(±0.5)V @ 80mA Max
 Connectors (RF):..... SMA (f), Removable
 Connectors (Supplies/Controls) Solder Pins
 Impedance: 50 Ohms Nominal
 Quality:..... Best-Commercial-Grade

Environmental Ratings:

Temperature:..... {Operating: -55°C to +95°C} & {Storage: -60°C to +110°C}
 Humidity: MIL-STD-202F, Method 103B, Cond. B (96 hours at 95% R.H.)
 Shock: MIL-STD-202F, Method 213B, Cond. B (75G, 6mSec)
 Vibration: MIL-STD-202F, Method 204D, Cond. B (.06” double amplitude, or 15G)
 Altitude: MIL-STD-202F, Method 105C, Cond. B (50,000 Feet)
 Temp. Shock: MIL-STD-202F, Method 107D, Cond. A (5 cycles)

Available Options:

(Units with listed options here may be subject to some specification tradeoffs from the standard, consult factory)

■ **RF Connectors**

- B1 [J1 – J3 Ports with SMA(M)]
- B2 [All SMA (M)]
- B3 [COM Port with SMA(M)]

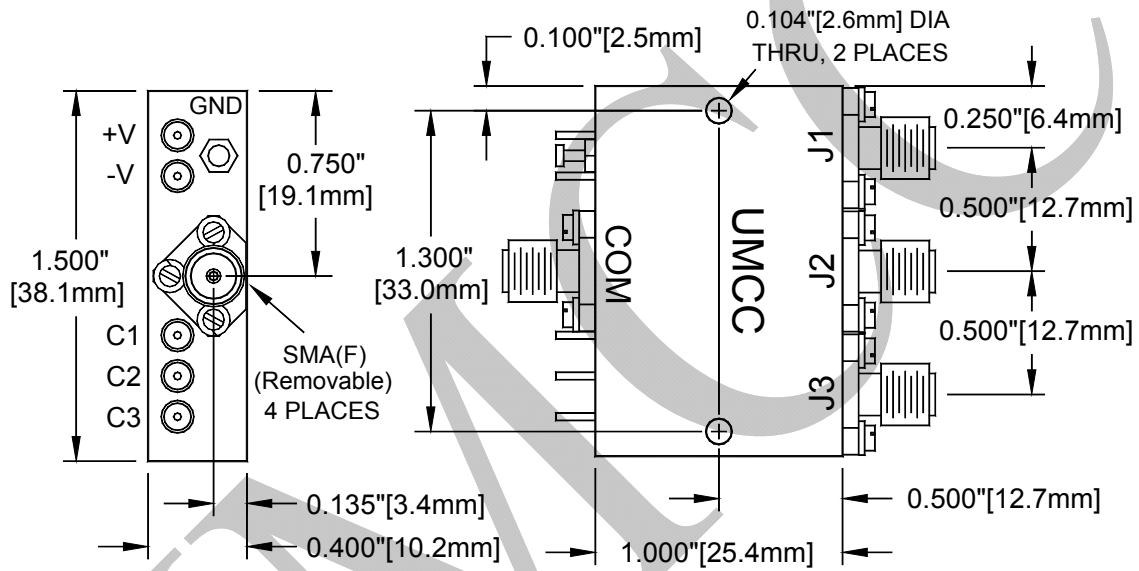
■ **Control Function**

- F1 [Inverse Logic, (“1” = Path “ON”)]



Model: SR-420H-3S

Outline



Weight	Tolerances
1.0 oz [28.3g]	±0.015" [±0.38mm]