



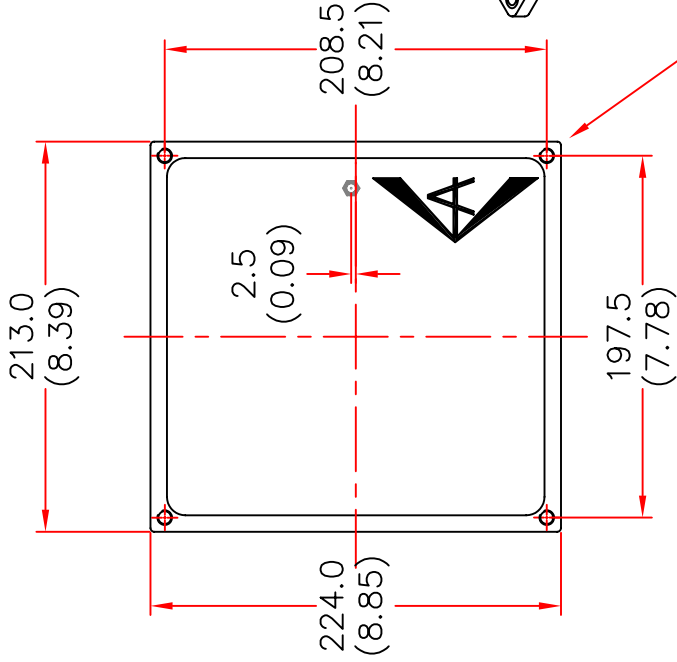
EUROPEAN ANTENNAS



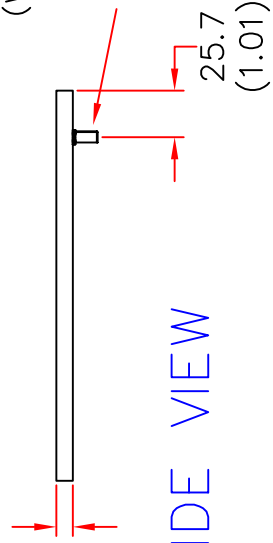
FLAT PANEL ANTENNA

MODEL: FPA23-95V/215

FREQUENCY:	8.7 - 10.5 GHz	GAIN:	22 dBi Typ. 20 dBi at 8.7 GHz, 19 dBi at 10.5 GHz
POLARISATION:	Linear	BEAMWIDTH:	10° x 10°
CROSS POLAR:	20 dB Typical	VSWR:	2 : 1
POWER RATING:	5 W	FRONT TO BACK:	> 35 dB
TEMPERATURE:	-20°C to +50°C	MASS:	600 g
FINISH:	Black Chassis/Grey Radome	WIND LOADING:	5.9Kg/13.0lbs @100mph



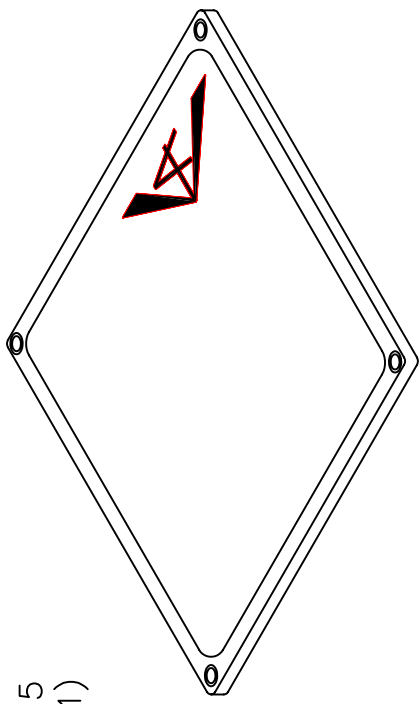
9.0
(0.35) PLAN VIEW



SMA(F) CONNECTOR
(ON REAR)

4 x 3/8" x 16 TPI
THREADED MOUNTING HOLES
(WHITWORTH HELICOIL INSERTS)

ISOMETRIC VIEW



DIMENSIONS: mm (inches)

GA 215 - 2 Issued 091204

EUROPEAN ANTENNAS LTD.

TEL: +44 (0)1638 731888

FAX: +44 (0)1638 731999

LAMBDA HOUSE, CHEVELEY,
NEWMARKET, SUFFOLK, CB8 9RG,
UNITED KINGDOM.

European Antennas Ltd. has a policy of continuous development and therefore stress that the data contained on this sheet should be used for guidance only.