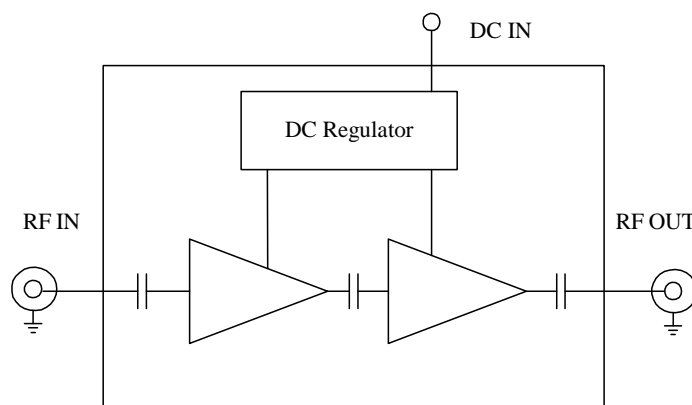


Features:

- Octave bandwidth, specification from 1.0~2.0GHz, usable from 0.5~2.5GHz
- Low noise figure, and high gain
- Low VSWR, unconditional stable
- Small size, low cost
- SMA female connector I/O
- Single DC power supply, internal voltage regulator, operating voltage from +8~+15V
- Operating temperature -40~+75°C, storage temperature -55~+85°C



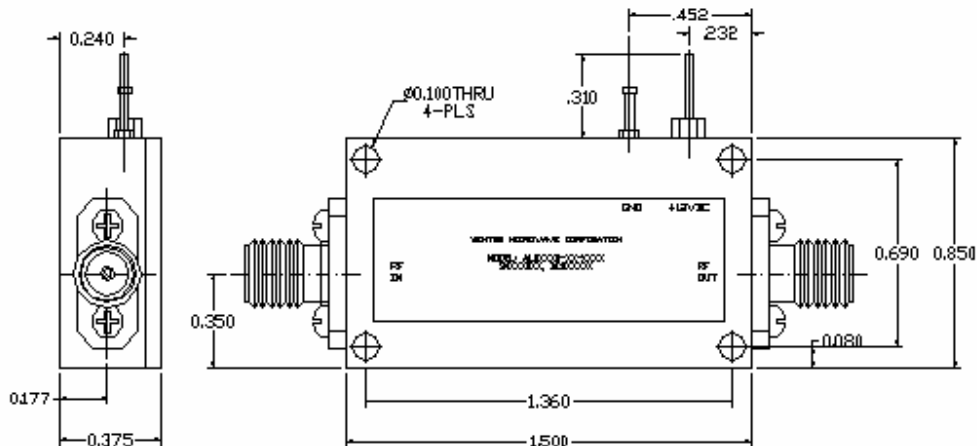
Functional Diagram



Electrical Specifications

Parameters	Minimum	Typical	Maximum
Frequency Range	1000 MHz		2000 MHz
Noise Figure @25°C		1.6dB	1.8dB
P-1dB Compression Point	+14dBm	+15dBm	
Nominal Gain @25°C	34 dB	35.5 dB	37 dB
Gain flatness		+/-0.25 dB	+/-0.5 dB
Gain Variation		+/-1.0dB	
Input VSWR		1.50:1	1.8:1
Output VSWR		1.35:1	1.5:1
Reverse Isolation		60dB	
Non Harmonic Spurious	-60 dBc		-60 dBc
Operating Temperature	-45°C		+85°C
Survival Temperature	-55°C		+125°C
DC Power Supply Voltage	+8 V	+12 V	+15 V
DC Power Supply Current	110 mA	120mA	130 mA
In/Out connectors	50 ohm SMA female		
Size	1.5"x0.85"x0.375		

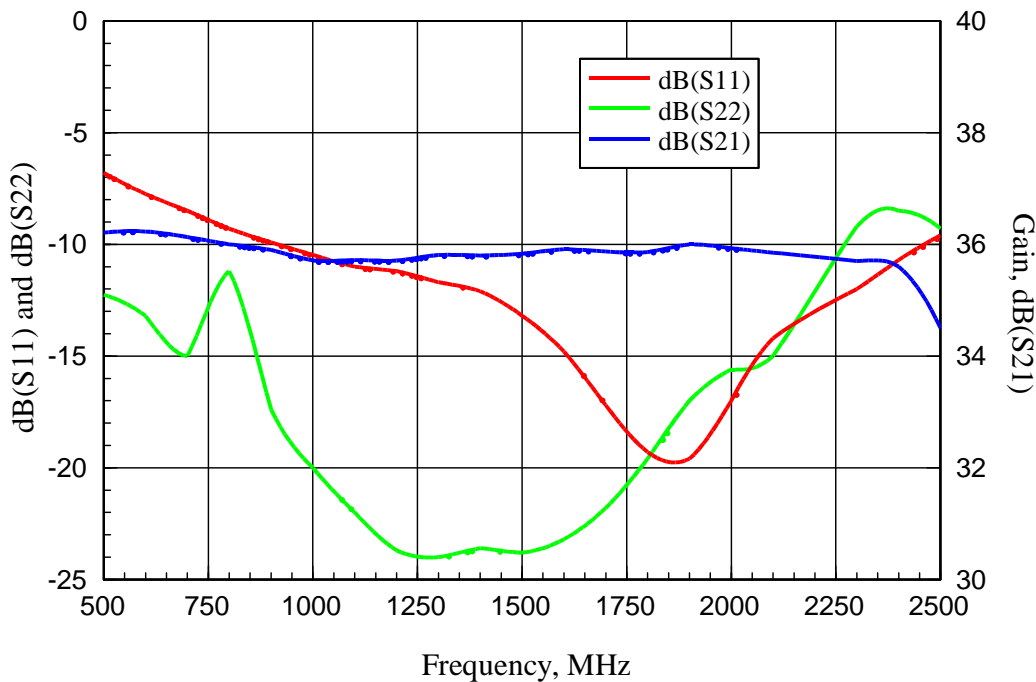
Mechanical Structure:



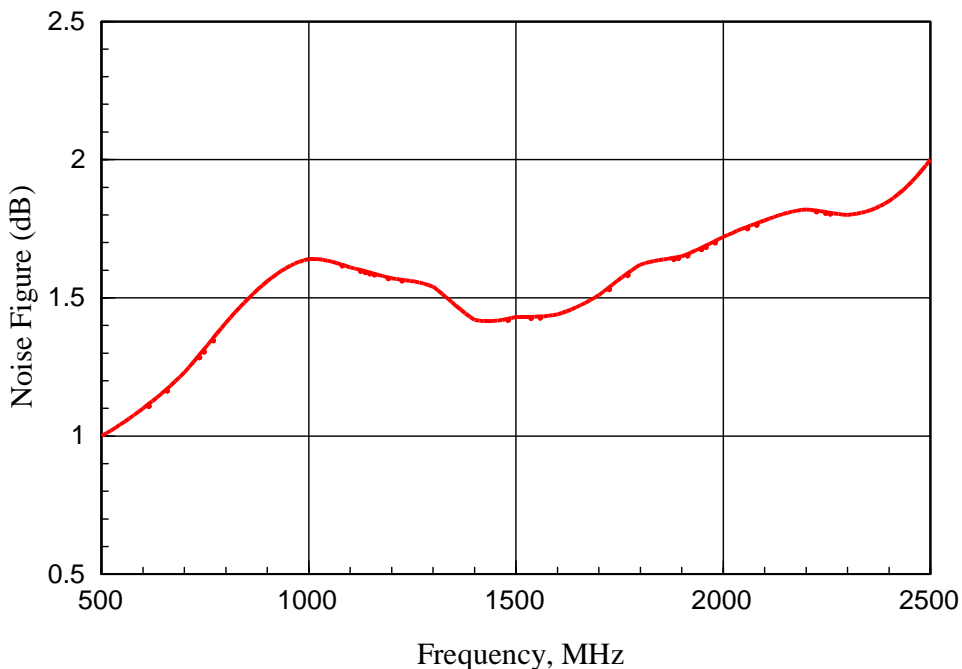
Note: All units in inches.

Typical Test Results:

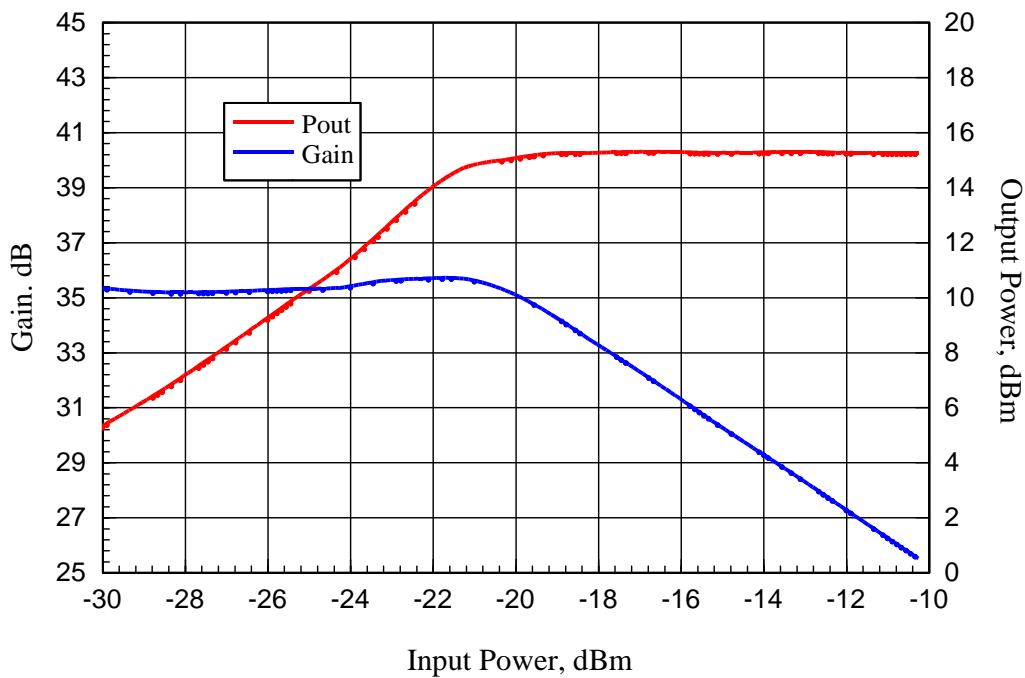
ABL0200-50-3516 Measured Gain and Return Loss vs Frequency



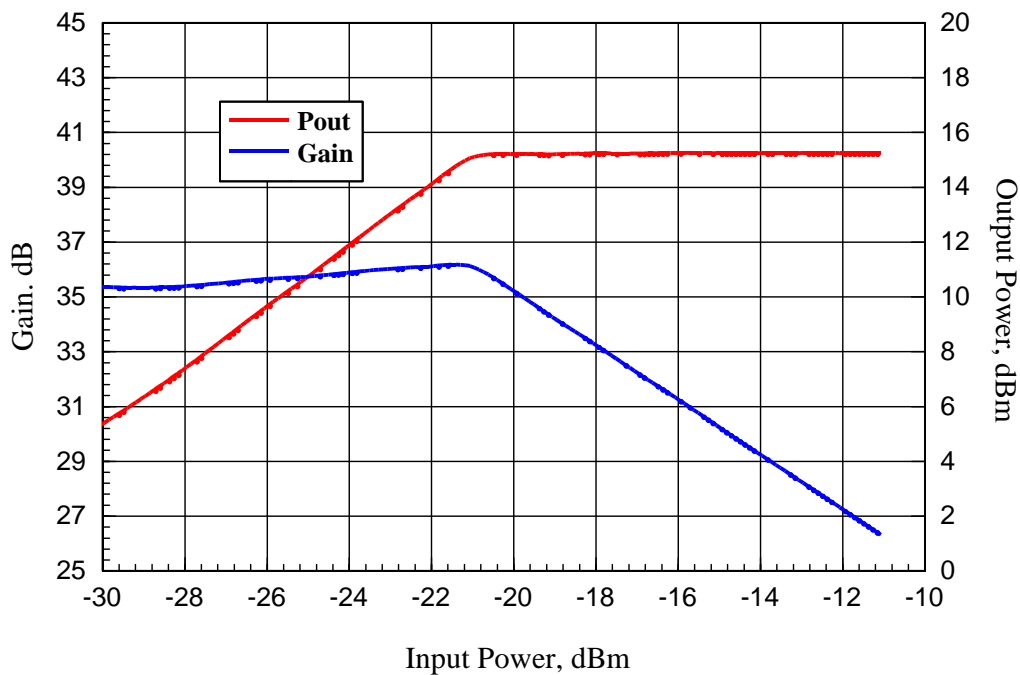
ABL0200-50-3516 Measured Noise Figure vs Frequency



ABL0200-50-3516 Measured Gain and Output Power vs Input Power  
Test Frequency: 1000MHz



ABL0200-50-3516 Measured Gain and Output Power vs Input Power  
Test Frequency: 2000MHz



Absolute Maximum Ratings

DC Voltage	+15V
RF Input Power	+18dBm
Storage Temperature	-55~+125°C
Operating Temperature	-45~+85°C