



When precision matters...™

## TW1320/TW1322 Embedded GPS/GLONASS Antenna

The TW1320/TW1322 is a high performance OEM GNSS antenna covering the GPS L1, GLONASS L1 and SBAS (WAAS, EGNOS & MSAS) frequency band (1575 to 1606 MHz). It features a patch element with 40% wider bandwidth than previously available in this format. Unlike its competitors, both GPS-L1 and GLONASS signals are included in the 1dB RHCP received power bandwidth.

The TW1320/TW1322 has a two stage Low Noise Amplifier (LNA) with a mid-section SAW. An optional tight pre-filter is available with part number TW1322 to protect against saturation by high level sub-harmonics and L-Band signals.

The built-in 35mm circular ground plane should ideally be augmented with a local system ground plane or reflecting surface (DC connection not required).

OEM antennas are easily detuned by the local environment. Tallysman offers custom tuning services for optimized integration into OEM end-user modules.

### Applications

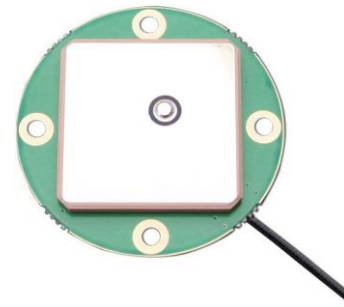
- Embedded OEM applications
- Precision Agriculture, Mining & Construction
- Military & Security
- Avionics
- Law Enforcement & Public Safety
- Fleet Management & Asset Tracking

### Features

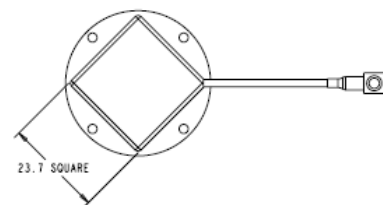
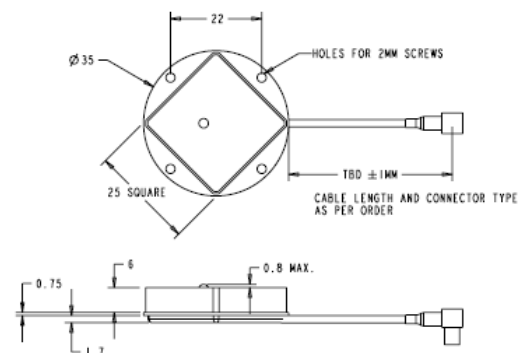
- 1dB bandwidth 1575MHz-1606MHz
- Very low noise LNA: 1 dB
- 4dB Axial Ratio @1590MHz, 8db over B/W
- High rejection SAW filter
- LNA gain: 28dB TW1320, 26dB TW1322 typ.
- Lowest current draw on the market -10mA typical
- ESD circuit protection: 15 KV
- Wide Supply voltage: fixed 2.5V to 16V

### Benefits

- Great multipath rejection
- Increase system accuracy
- Excellent signal to noise ratio
- Great out of band signal rejection
- Compact form factor
- RoHS compliant



TW1320 Dimensions (mm)





When precision matters...™

# TW1320/TW1322 Embedded GPS/GLONASS Antenna

## Specifications At; Vcc = 3V, over full bandwidth, T=25°C

### Antenna

Architecture	Wideband Single Feed Patch
Polarization	RHCP
1 dB Bandwidth	31MHz
10dB Return Loss Bandwidth	45Hz
Antenna Gain (with 100mm ground plane)	4.5dBic
Axial Ratio	<=4dB @ 1590MHz, 8dB typical at band edges

### Electrical

Architecture	TW1320	LNA stage 1 -> SAW filter-> LNA stage 2
	TW1322	SAW Prefilter ->LNA stage 1 -> SAW filter-> LNA stage 2
Filtered LNA Frequency Bandwidth		1574MHz to 1606MHz
Gain (1575.42 to 1606 MHz)		28dB min., TW1320; 26dB min, TW1322,
Gain flatness		+/- 2dB, 1575MHz to 1606MHz
Out-of-Band Rejection		TW1320: <1500MHz >35dB. TW1322: >70dB.
		TW1320: <1550MHz >25dB. TW1322: >45dB.
		TW1320: >1650MHz >35dB. TW1322: >70dB.
VSWR (at LNA output)		<1.5:1
Noise Figure		TW1320:1 dB typ. TW1322: 3.5dB typ.
Supply Voltage Range (over coaxial cable)		+2.5VDC to 16VDC nominal (12 VDC recommended max)
Supply Current		10mA max.
ESD Circuit Protection		15KV air discharge

### Mechanicals & Environmental

Mechanical Size	35mm dia. x 7.25mm
Cable	1.38mm OD,
Operating Temp. Range	-40°C to +85°C
Weight	50g
Attachment Method	Adhesive or screw mount
Environmental	RoHS compliant
Shock	Vertical axis: 50G, other axes: 30G
Vibration	3 axis, sweep = 15 min, 10 to 200 Hz sweep: 3 G
Warranty	One year – parts and labour

### Ordering Information

Legacy Part Numbers:

TW1320 – OEM GPS/GLONASS antenna,	32-1320-xx -yyyy-zz	TW1322 – Pre-filtered,	32-1322-xx -yyyy-zz
Connector: xx = 00 SMA male ,	01 = TNC male	02 = MCX male	03 = MMCX male 04 = SMB male
05 = MCX right angle male	06 = MMCX right angle male	07 = SMA female	08 = H.FL** 09 = U.FL
10 = SMA R/A**	11 = Reverse polarity SMA**	** Premiums apply. Please contact your Distributor	
Cable length: yyyy = cable length in mm	Custom Tuning: zz = Assigned by Tallysman		

\*As a result of a growing product portfolio, Tallysman has rationalized its part number system. No changes have been made to the mechanical or electrical properties of these products. Where administratively possible, please use the following Part Numbers.

TW1320 – GPS L1 antenna, 33-1320-xx-yyy-zz TW1322 – 33-1322-xx-yyy-zz

Please refer to the Ordering Guide (<http://www.tallysman.com/orderingguide.php>) for the current and complete list of available connectors.

### Tallysman Wireless Inc

106 Schneider Road, Unit 3  
Ottawa ON K2K 1Y2 Canada

Tel 613 591 3131

Fax 613 591 3121

[sales@tallysman.com](mailto:sales@tallysman.com)

The information provided herein is intended as a guide only and is subject to change without notice. This document is not to be regarded as a guarantee of performance. Tallysman Wireless Inc. hereby disclaims any or all warranties and liabilities of any kind. © 2011 Tallysman Wireless Inc. All rights reserved.

Rev 1.5