



BROADBAND LOW NOISE AMPLIFIER ABL0800-12-3315

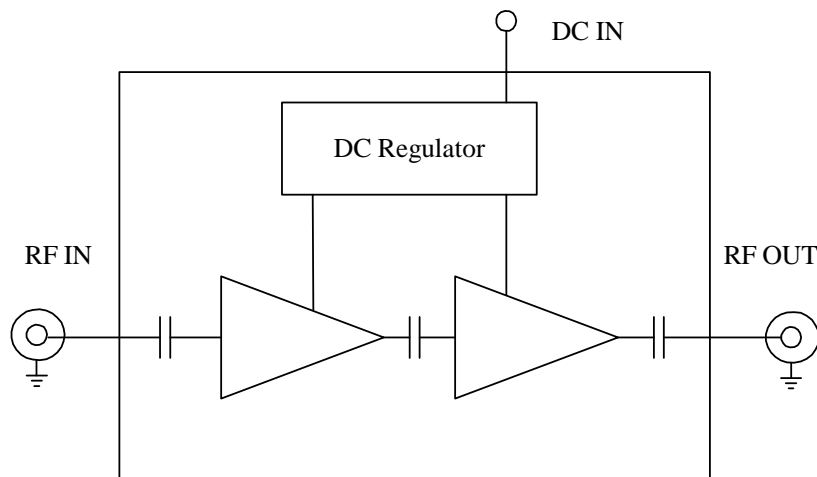
Features:

- Broad band operation from 1.0 GHz to 8.0 GHz
- Low VSWR, unconditional stable
- Small size, low cost
- SMA female connector I/O.
- Single DC power supply, internal voltage regulator, operating voltage from +9~+12V
- Operating temperature -40~+85°C, storage temperature -55~+125°C

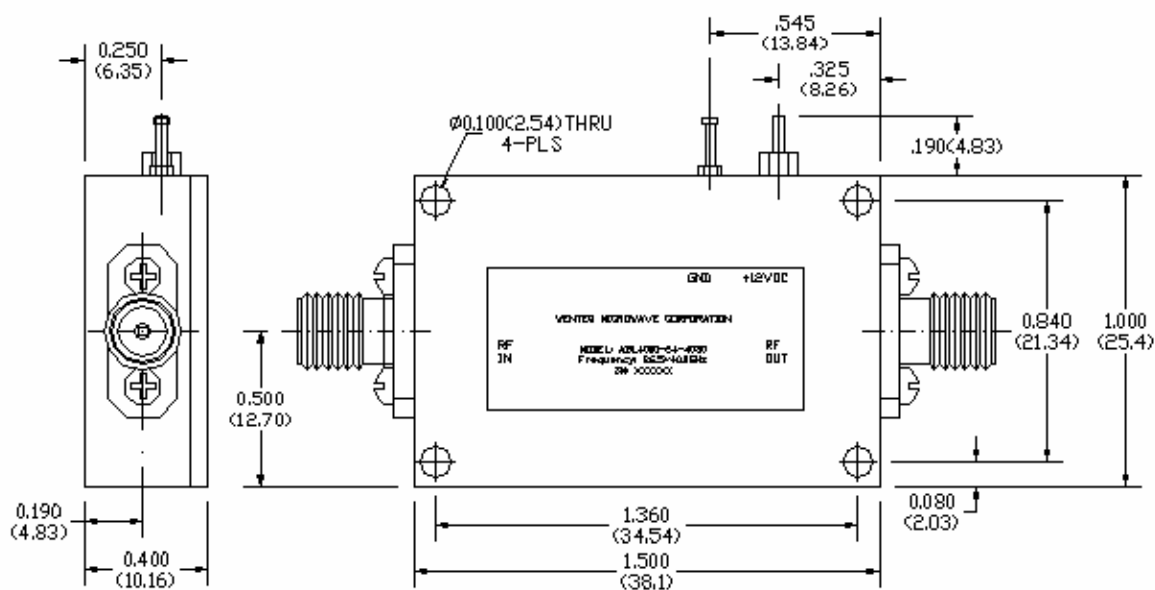
Electrical Specifications

Parameters	Units	Specifications		
		Minimum	Typical	Maximum
Frequency Range	GHz	1.0		8.0
Small Signal Gain @25°C	dB	30.0	33.0	36.0
Noise Figure @25°C	dB		1.5	2.0
P-1dB Compression Point	dBm	+13.0	+16.0	
Output IP3	dBm	+22.0	+26.0	
Gain flatness	dB		+/-1.5	+/-2.0
Gain Variation	dB		+/-1.5	
Input VSWR			1.8:1	2.2:1
Output VSWR			1.8:1	2.2:1
Reverse Isolation	dB	45.0	51.0	
Non-Harmonic Spurious	dBc			-60.0
Operating Temperature	°C	-40		+85
Survival Temperature	°C	-55		+125
DC Voltage	V	+8.0		+12.0
DC Supply Current	mA	100 mA	120 mA	140 mA
In/Out connectors		SMA Female		
Size	inches	1.5"x1.0"x0.4"		

Functional Diagram



Mechanical Structure:



Note: All units in inches.

Absolute Maximum Ratings

DC Voltage	+15V
RF Input Power	0 dBm
Storage Temperature	-55~+125°C
Operating Temperature	-40~+75°C



BROADBAND LOW NOISE AMPLIFIER
ABL0800-12-3315
