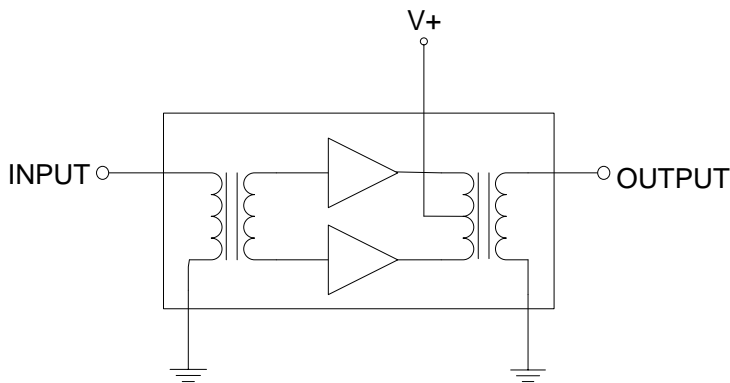


RFPD2540

GaAs/GaN Power Doubler Hybrid
45MHz to 1218MHz

The RFPD2540 is a Hybrid Power Doubler amplifier module. The part employs GaAs HFET die, GaAs pHEMT die and GaN HEMT die, has high output capability, and operates from 45MHz to 1218MHz. It provides excellent linearity and superior return loss performance with low noise and optimal reliability.



Package: SOT-115J

Features

- Excellent Linearity
- Superior Return Loss Performance
- Extremely Low Distortion
- Optimal Reliability
- Low Noise
- Unconditionally Stable Under All Terminations
- Extremely High Output Capability
- 27.5dB Min. Gain at 1218MHz
- 450mA Max. at 24VDC

Applications

- 45MHz to 1218MHz CATV Amplifier Systems

Ordering Information

RFPD2540 Box with 50 pieces

Absolute Maximum Ratings

Parameter	Rating	Unit
RF Input Voltage (single tone)	75	dBmV
DC Supply Over-Voltage (5 minutes)	30	V
Storage Temperature	-40 to +100	°C
Operating Mounting Base Temperature	-30 to +100	°C



Caution! ESD sensitive device.



RoHS (Restriction of Hazardous Substances): Compliant per EU Directive 2011/65/EU.

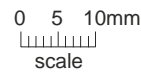
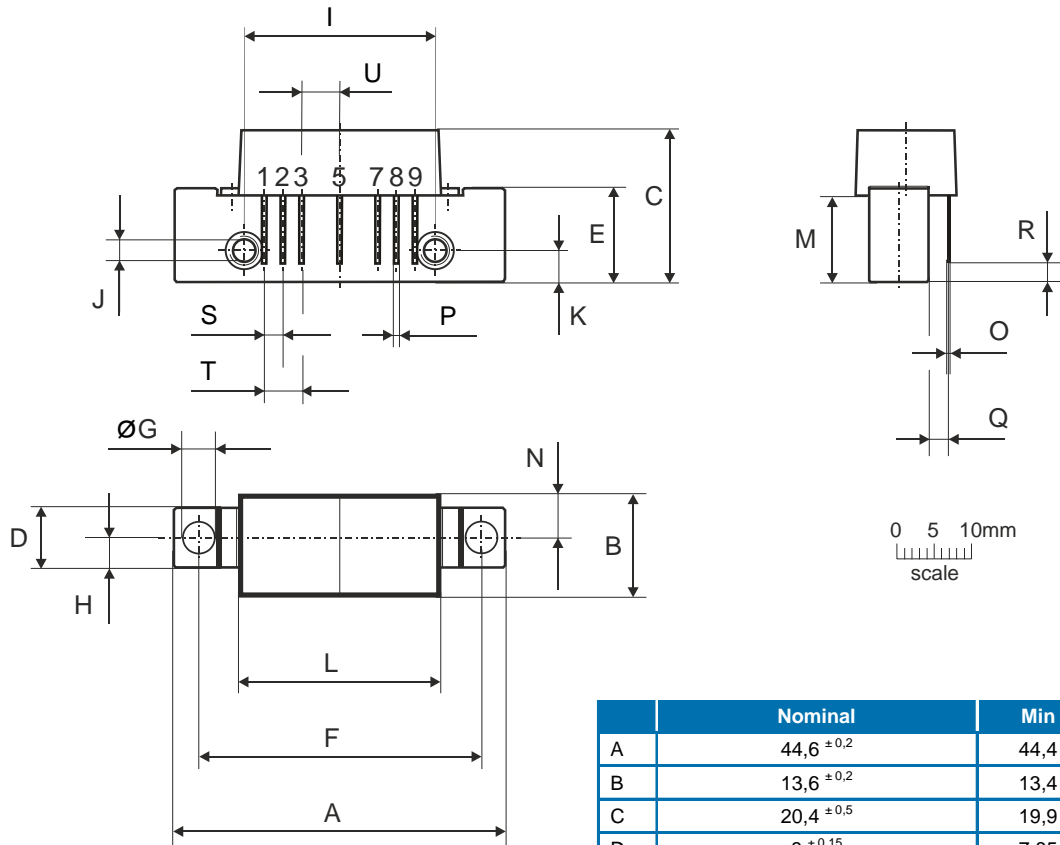
Exceeding any one or a combination of the Absolute Maximum Rating conditions may cause permanent damage to the device. Extended application of Absolute Maximum Rating conditions to the device may reduce device reliability. Specified typical performance or functional operation of the device under Absolute Maximum Rating conditions is not implied.

Nominal Operating Parameters

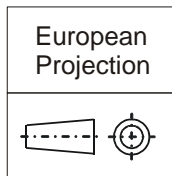
Parameter	Specification			Unit	Condition
	Min	Typ	Max		
General Performance					$V_+ = 24V$; $T_{MB} = 30^\circ C$; $Z_S = Z_L = 75\Omega$
Power Gain		27.0		dB	$f = 45MHz$
	27.5	28.0	29.0	dB	$f = 1218MHz$
Slope ^[1]	0.5	1.0	2.0	dB	$f = 45MHz$ to $1218MHz$
Flatness of Frequency Response			0.8	dB	$f = 45MHz$ to $1218MHz$
Input Return Loss	-20			dB	$f = 45MHz$ to $320MHz$
	-19			dB	$f = 320MHz$ to $640MHz$
	-17			dB	$f = 640MHz$ to $870MHz$
	-16			dB	$f = 870MHz$ to $1000MHz$
	-15			dB	$f = 1000MHz$ to $1218MHz$
Output Return Loss	-20			dB	$f = 45MHz$ to $320MHz$
	-19			dB	$f = 320MHz$ to $640MHz$
	-18			dB	$f = 640MHz$ to $870MHz$
	-17			dB	$f = 870MHz$ to $1000MHz$
	-16			dB	$f = 1000MHz$ to $1218MHz$
Noise Figure		5.0	5.5	dB	$f = 50MHz$ to $1218MHz$
Total Current Consumption (DC)		420.0	450.0	mA	
Distortion Data 40MHz to 550MHz					$V_+ = 24V$; $T_{MB} = 30^\circ C$; $Z_S = Z_L = 75\Omega$
CTB		-75	-70	dBc	$V_O = 56.4dBmV$ at $1000MHz$, $13.4dB$ extrapolated tilt, 79 analog channels plus 75 digital channels (-6dB offset) ^{[2][4]}
XMOD		-68	-62	dBc	
CSO		-70	-65	dBc	
CIN	60	65		dB	
Distortion Data 40MHz to 550MHz					$V_+ = 24V$; $T_{MB} = 30^\circ C$; $Z_S = Z_L = 75\Omega$
CTB		-82		dBc	$V_O = 55dBmV$ at $1200MHz$, $16.5dB$ extrapolated tilt, 79 analog channels plus 111 digital channels (-6dB offset) ^{[3][4]}
XMOD		-75		dBc	
CSO		-80		dBc	
CIN		60		dB	

- The slope is defined as the difference between the gain at the start frequency and the gain at the stop frequency.
- 79 analog channels, NTSC frequency raster: 55.25MHz to 547.25MHz, +43dBmV to +50dBmV tilted output level, plus 75 digital channels, -6dB offset relative to the equivalent analog carrier.
- 79 analog channels, NTSC frequency raster: 55.25MHz to 547.25MHz, +38.5dBmV to +45.5dBmV tilted output level, plus 111 digital channels, -6dB offset relative to the equivalent analog carrier.
- Composite Second Order (CSO) - The CSO parameter (both sum and difference products) is defined by the NCTA. Composite Triple Beat (CTB) - The CTB parameter is defined by the NCTA. Cross Modulation (XMOD) - Cross modulation (XMOD) is measured at baseband (selective voltmeter method), referenced to 100% modulation of the carrier being tested. Carrier to Intermodulation Noise (CIN) - The CIN parameter is defined by ANSI/SCTE 17 (Test procedure for carrier to noise).

Package Drawing (Dimensions in millimeters)



Notes:



Pinning:

Pin	Name
1	Input
2-3	GND
4	
5	V+
6	
7-8	GND
9	Output

	Nominal	Min	Max
A	44,6 ±0,2	44,4	44,8
B	13,6 ±0,2	13,4	13,8
C	20,4 ±0,5	19,9	20,9
D	8 ±0,15	7,85	8,15
E	12,6 ±0,15	12,45	12,75
F	38,1 ±0,2	37,9	38,3
G	4 ^{+0,2/-0,05}	3,95	4,2
H	4 ±0,2	3,8	4,2
I	25,4 ±0,2	25,2	25,6
J	UNC 6-32	-	-
K	4,2 ±0,2	4,0	4,4
L	27,2 ±0,2	27,0	27,4
M	11,6 ±0,5	11,1	12,1
N	5,8 ±0,4	5,4	6,2
O	0,25 ±0,02	0,23	0,27
P	0,45 ±0,03	0,42	0,48
Q	2,54 ±0,3	2,24	2,84
R	2,54 ±0,5	2,04	3,04
S	2,54 ±0,25	2,29	2,79
T	5,08 ±0,25	4,83	5,33
U	5,08 ±0,25	4,83	5,33